

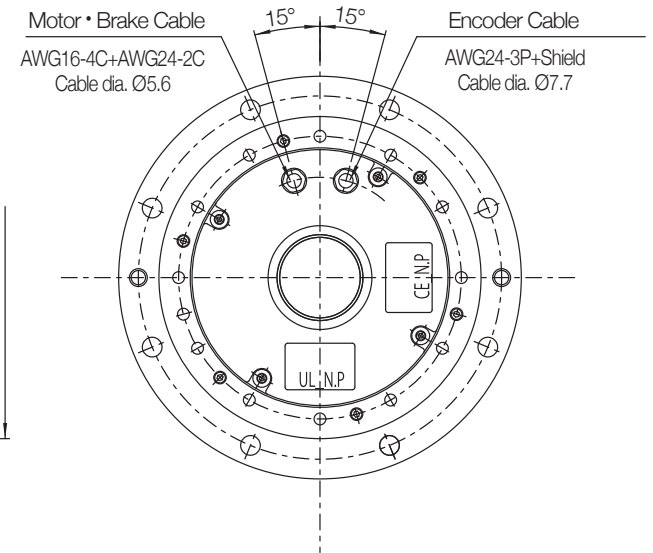
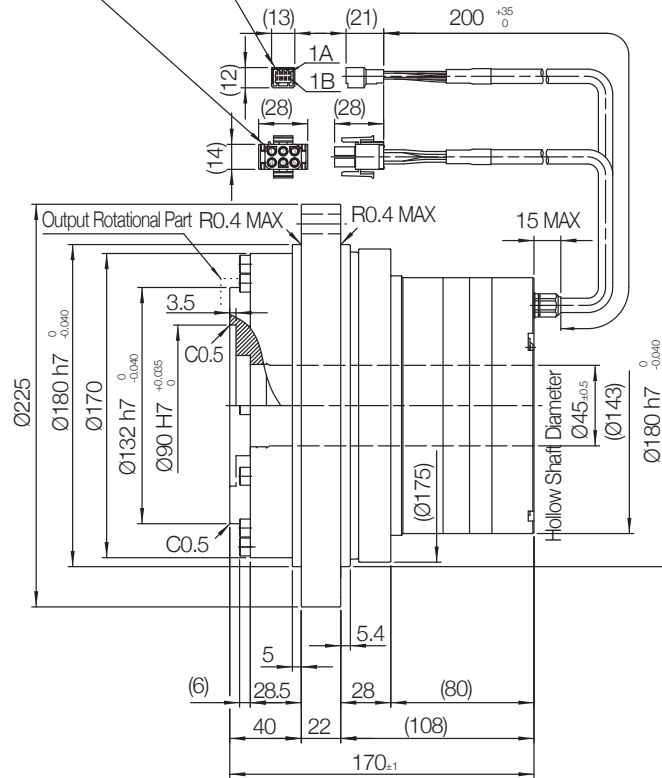
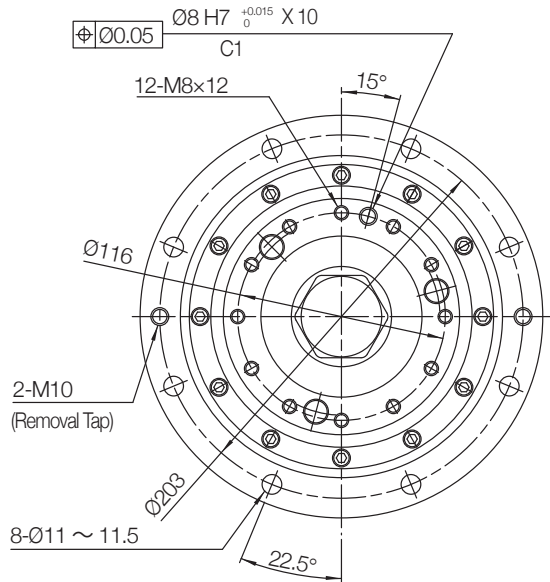
# SHA40A-CG

## Encoder Connector

Housing :1-1903130-4 [AMP]  
 Tab Contact :1903117-2 [AMP]

## Motor • Brake Connector

Housing :350715-1 [AMP]  
 Pin Contact (Motor U • V • W) :350690-1 [AMP]  
 Pin Contact (Brake) :350690-1 [AMP]  
 Pin Contact (Motor PE) :350669-1 [AMP]



### Notice:

All specifications and dimensions shown in the drawing are subject to change without notice. This drawing is the property of Harmonic Drive LLC. This data is believed to be accurate, however, Harmonic Drive LLC assumes no liability for any errors or omissions in the specifications, models or drawings.

Harmonic Drive LLC  
 Tel: 800-921-3332  
 www.harmonicdrive.net



**Harmonic Drive LLC**  
 Tel: 800-921-3332  
 www.harmonicdrive.net