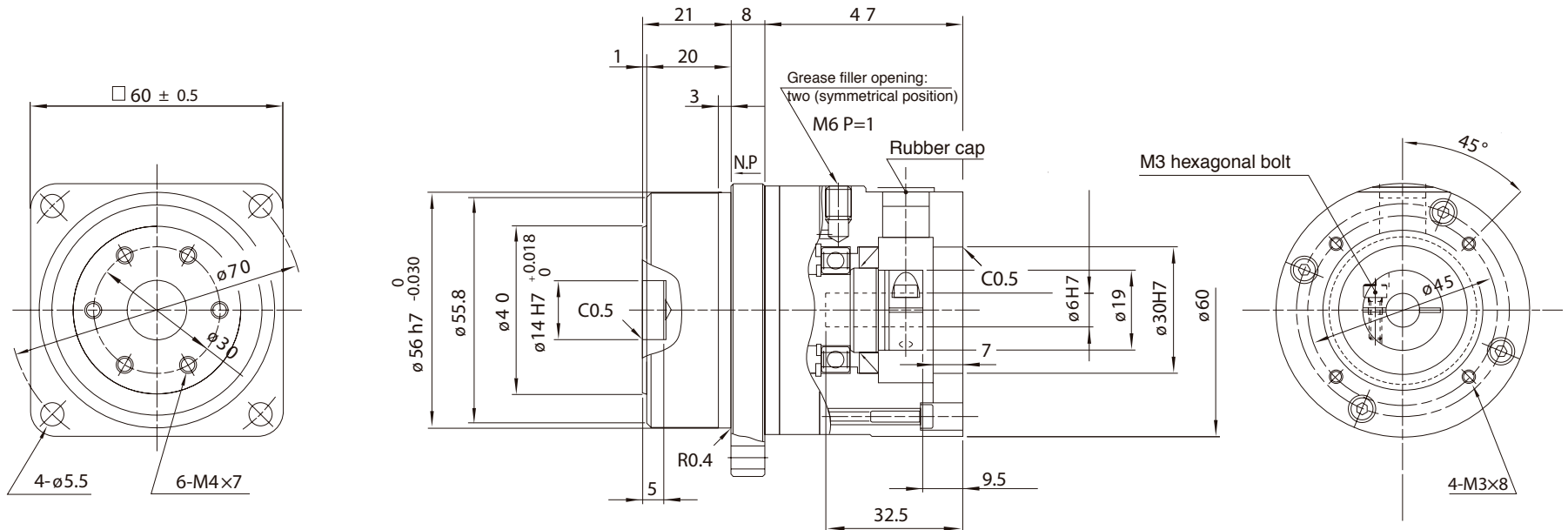


# CSF-14-xx-GH-FOAB



Please match the bore size of the coupling to the motor shaft dimensions.

If you have a specific motor to be connected, please ask our Sales person serving your region.

**Notice:**

All specifications and dimensions shown in the drawing are subject to change without notice. This drawing is the property of Harmonic Drive LLC. This data is believed to be accurate, however, Harmonic Drive LLC assumes no liability for any errors or omissions in the specifications, models or drawings.

Harmonic Drive LLC  
 Tel: 800-921-3332  
 www.harmonicdrive.net



Harmonic Drive LLC  
 800-921-3332  
 www.harmonicdrive.net