

Low Profile Actuator (LPA)

LPA 17 Precision Servo Actuator

- Zero Backlash
- Compact Design
- Low Vibration



harmonic drive gearing
Precision Gearing & Motion Control

LPA-17 Precision Servo Actuator

Features

- Less than 1 arc minute positional accuracy
- Compact design
- Axial length of less than 2.6 inches
- Integral high performance brushless servo motor
- Double row angular contact output bearings
- High axial and moment loads
- Superior torque to weight ratio
- Adaptable to most controllers

The LPA 17 is the most axially compact precision servo actuator available. It combines the zero backlash and high ratio of harmonic drive gearing with an integral high performance brushless servo motor and encoder in a single compact design that measures only 2.6 inches. The unit is capable of accuracies greater than 1 arc minute, repeatability of ± 5 arc seconds and rated output torques up to 350 lb in. Pre loaded double row angular contact output bearings allow the LPA to support high moment and axial loads. Standard reduction ratios are 50 and 100:1. The LPA is offered in a package with an amplifier or can be easily adapted to perform with many popular electronic systems.

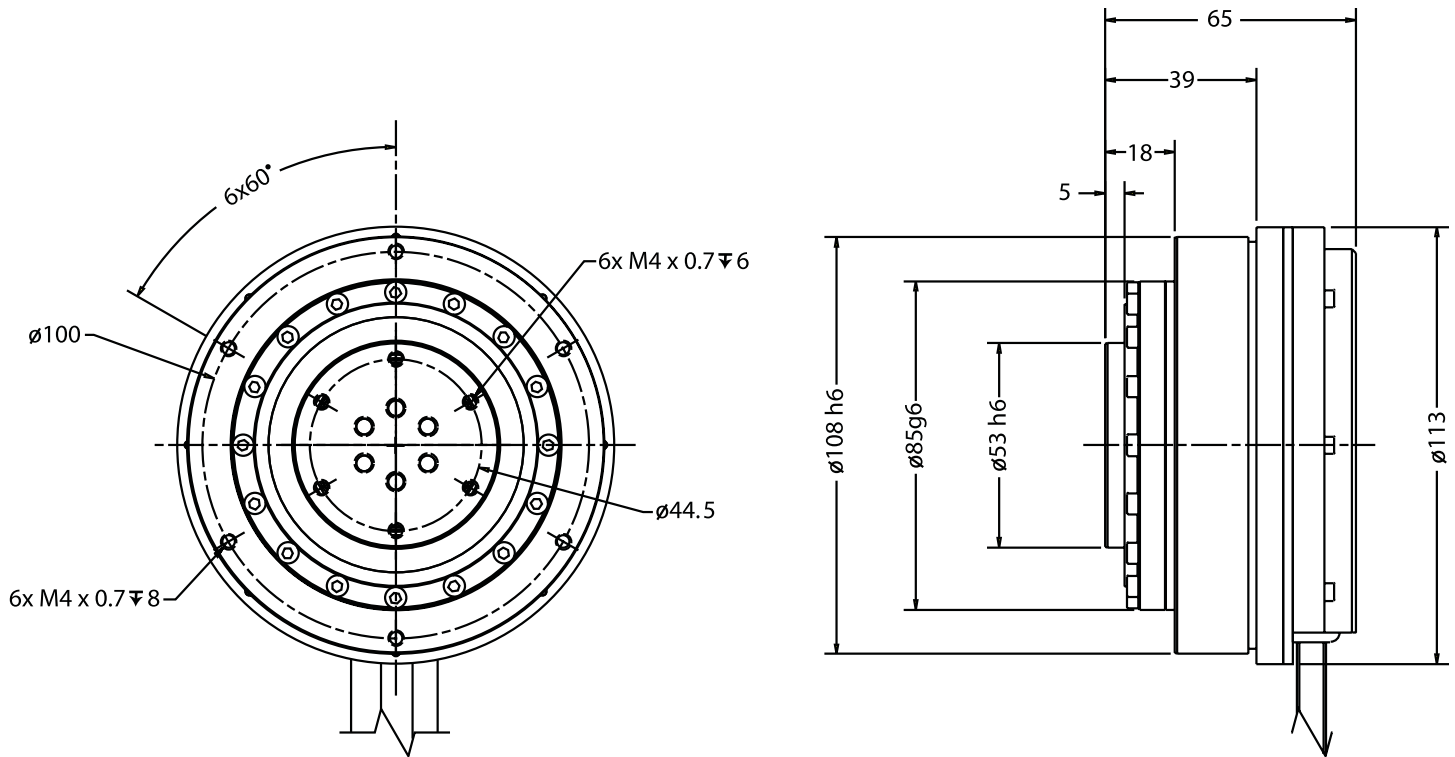


Actual width is <2.6"

Encoder Specifications

Frequency Response	100 Khz
Voltage	5 V
Current Draw	85ma Max
Lines	1000
Quad Counts	4000
Index	One Index

LPA-17 Precision Servo Actuator

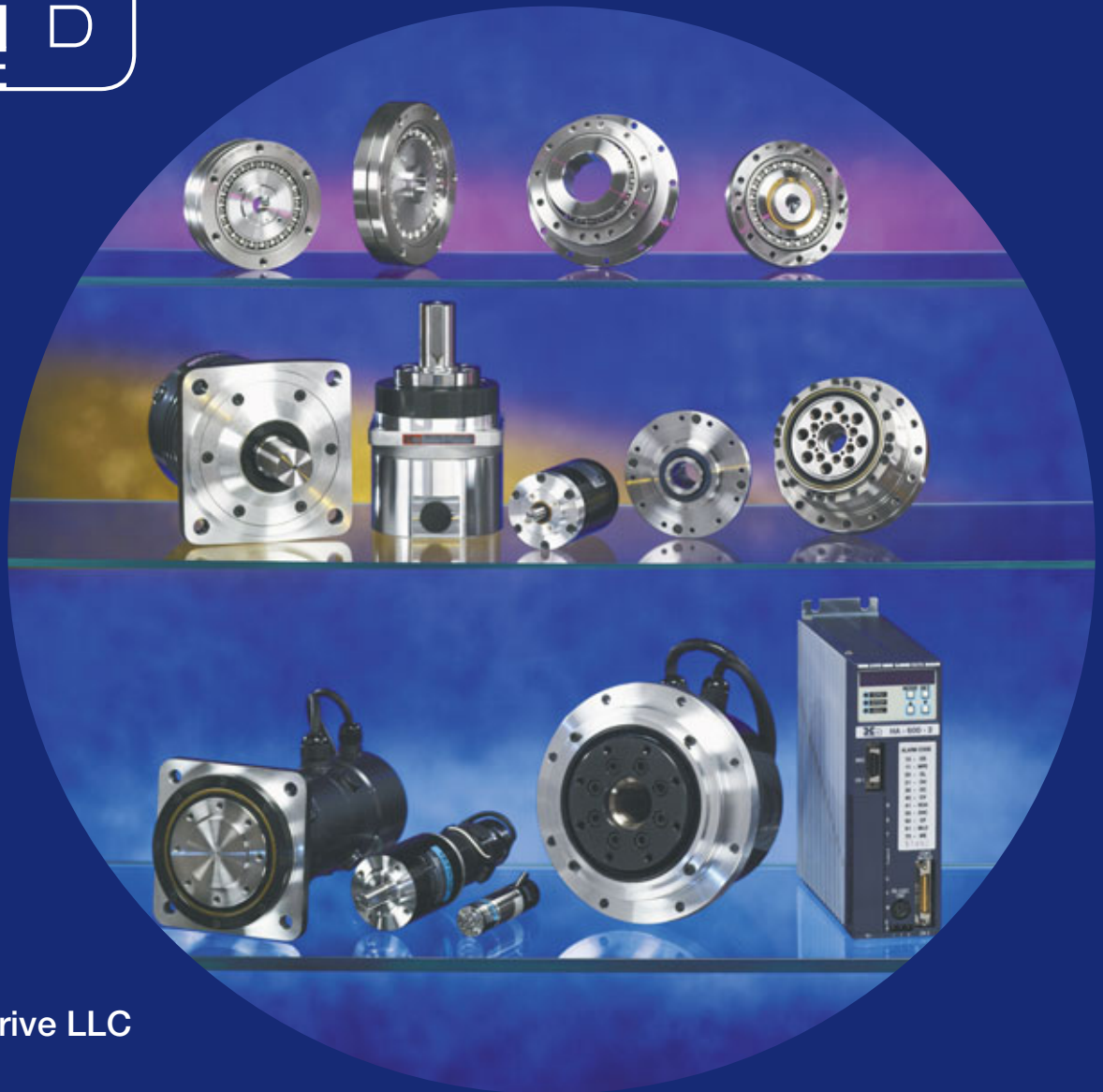


Configurations available for most amplifiers

Specifications

Ratio	xx:1	100	50
Max Continuous Output Speed	rpm	30	60
Max Momentary Output Speed	rpm	50	100
Rated Torque	(30/60 RPM)	250	200
Torque Constant (Input)	oz lb/amp	10.8	10.8
Speed Constant (Input)	peak volt/krpm	8	8
# Poles	pole	16	16
Terminal Resistance	Ohm	0.7	0.7
Terminal Inductance	mH	0.14	0.14
Max Accel/decl Torque	lb in	350	350
Weight	lbs	4.3	4.3
Thermal Resistance	deg c/watt	3.4	3.4
Allowable Moment	lb in	807	807

*Specifications configured on teknics amplifier. Other amplifiers are available.
Please contact factory with more information.



Harmonic Drive LLC

Boston

247 Lynnfield Street
Peabody, MA 01960

New York

89 Cabot Court
Hauppauge, NY 11788

800-921-3332

F: 978-532-9406

www.HarmonicDrive.net

Worldwide Locations:

Harmonic Drive Systems, Inc.
Minamiohi 6-25-3, Shinagawa-ku
Tokyo 140, Japan

Harmonic Drive AG
Hoenbergstr, 14
Limburg/Lahn, D-65555 Germany