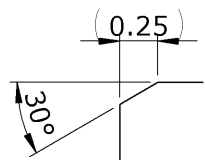
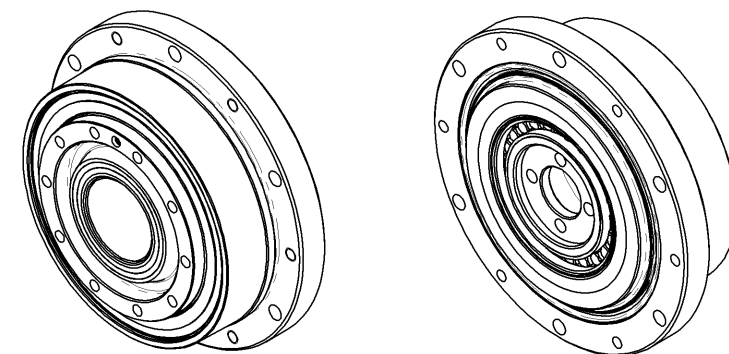


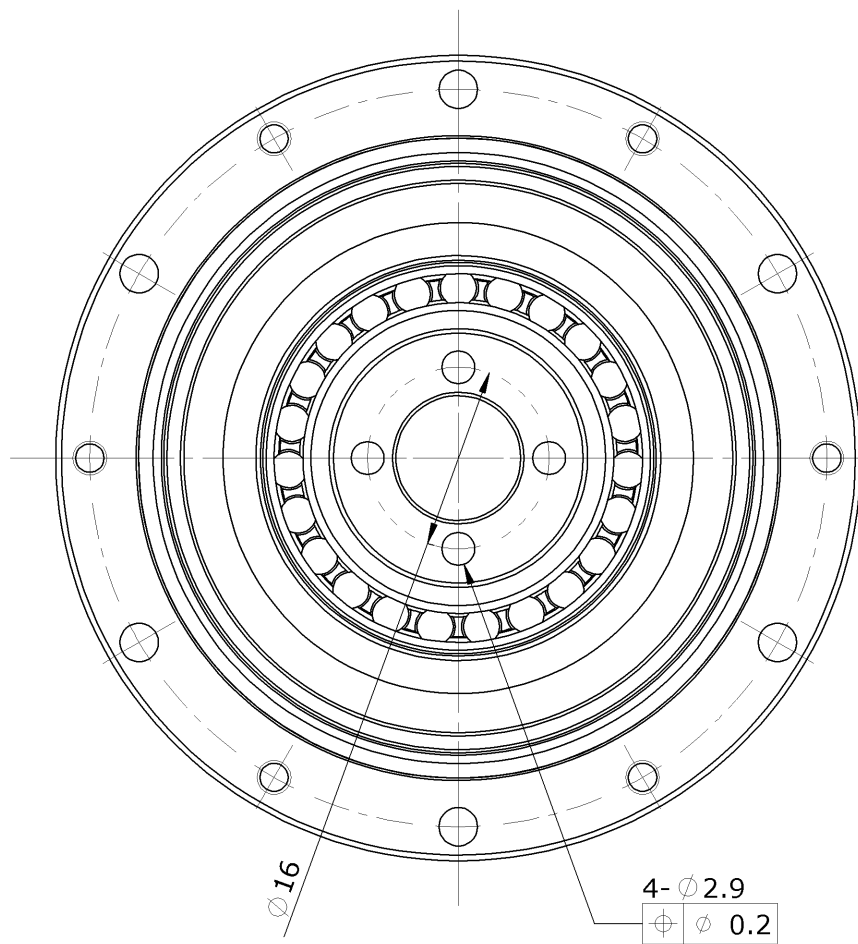
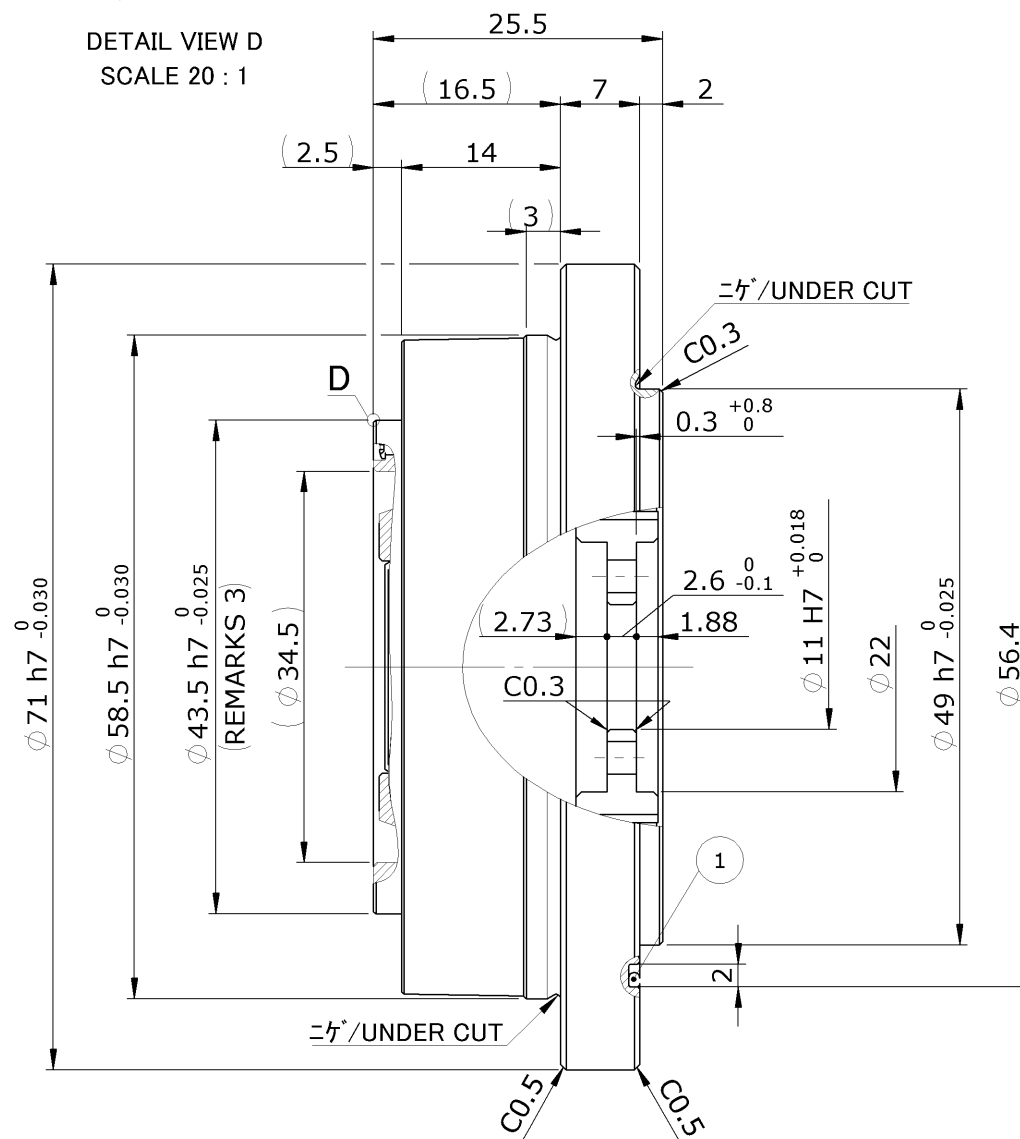
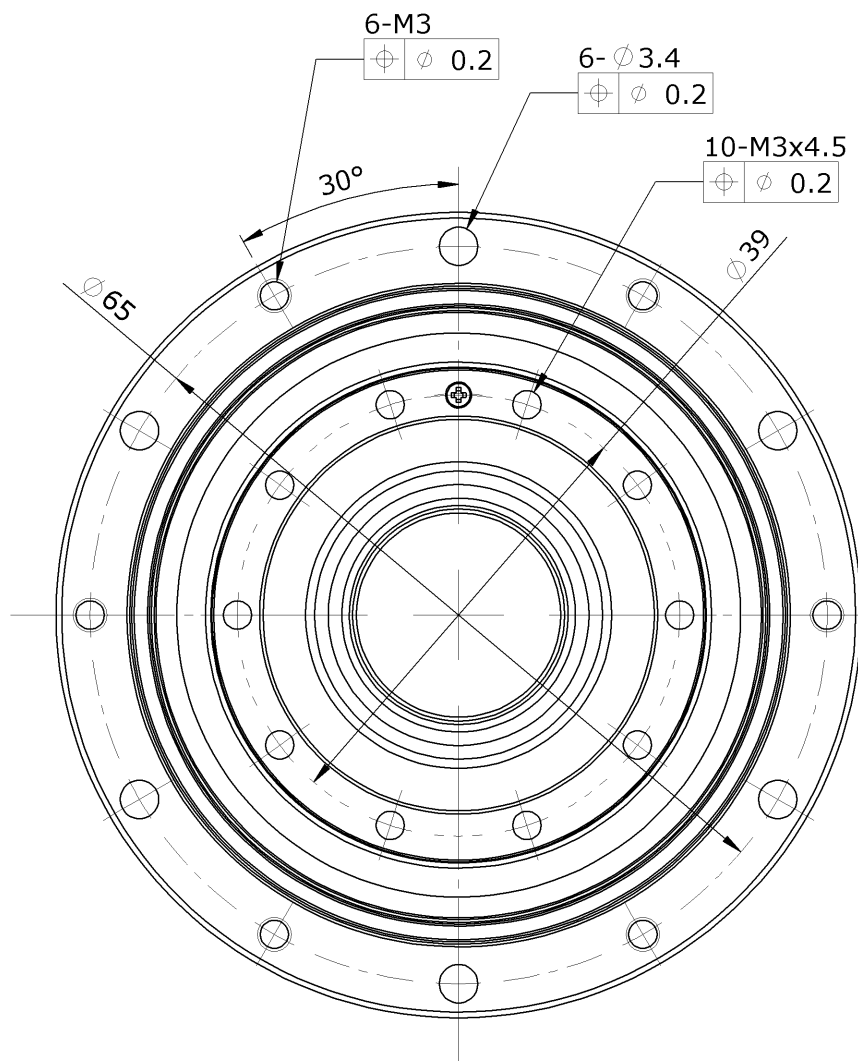
ITEM NO.	PARTS	SIZE	QTY.	NOTE
1	Oリング / O-RING	d54x1.2	1	添付品 / ENCLOSED IN THE BOX



DETAIL VIEW D
SCALE 20 : 1



SCALE 1 : 1.5



注記 / REMARKS

1	ウェーブジェネレータ / WAVE GENERATOR	リジッドタイプ / RIGID TYPE
2	潤滑 / LUBRICATION	減速部 / HarmonicDrive®GEAR 主軸受部 / MAIN BEARING
		ハーモニックグリース® SK-2 / HarmonicGrease® SK-2 マルテンプ HL-D / Multemp HL-D
3	出力回転部外径(低速回転側) / OUTPUT DIAMETER OF ROTATIONAL PART (LOW-SPEED ROTATION SIDE)	

設計、取り扱いについてはカタログを参照してください。

DESIGNING AND/OR HANDLING OF HarmonicDrive®GEARS(HarmonicDrive®ACTUATORS) HAS TO COMPLY WITH TECHNICAL INFORMATION SHOWN IN HarmonicDrive® CATALOG.

REV	DESCRIPTION	DESIGN	DATE	TITLE
0	来歴	R.Nakanishi	2021/05/27	納入仕様図 / CONFIRMATION DRAWING
1	SPEC 仕様	K.FURUTA	2021/05/27	ARTICLE 製品名
2	標準	N.Tanioka	2021/05/27	CSF-14-50-2UH-ULW

GENERAL TOLERANCE	0	0.5	6	30	120	315	1000	REMARKS	DWG SIZE	UNIT	THIRD ANG
機械加工公差	±0.05	±0.1	±0.2	±0.3	±0.5	±0.8	±1.2	REMARKS : CHAMFER UNSPECIFIED SHARP CORNERS 0.25 / ALL UNSPECIFIED RADLL TO BE 0.5 MAX 備考 特記無き角はC0.2以下、すみの丸みはR0.4以下	A3	mm	☉
								SURFACES MARKED EXCEPT AS NOTED			
								50S 25S 6.3S			

PROPRIETORSHIP	REGISTERED TRADEMARK	LOGO	DWG No	FIG No
This drawing (document) is the PROPERTY of Harmonic Drive Systems, Inc. and shall not be traced, otherwise copied or used for purposes other than agreed upon, nor communicated to any third party without written permission of Harmonic Drive Systems, Inc.	Registered Trademark in Japan.	HARMONIC DRIVE SYSTEMS INC TOKYO JAPAN	C009519	