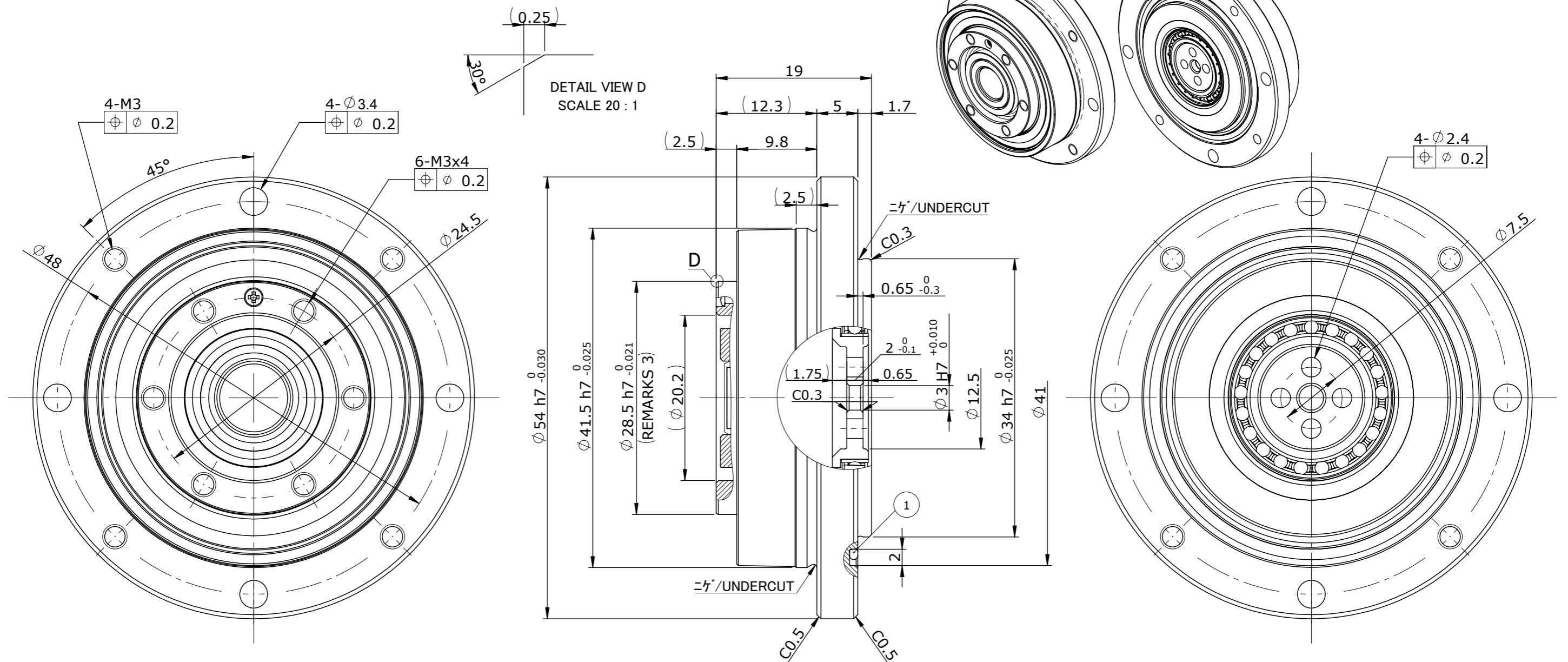


ITEM NO.	PARTS	SIZE	QTY.	NOTE
1	O-RING	d38x1.2	1	ENCLOSED IN THE BOX

SCALE 1 : 1



注記 / REMARKS

1	ウェーブジェネレータ / WAVE GENERATOR	リジッドタイプ / RIGID TYPE
2	潤滑 / LUBRICATION	減速部 / HarmonicDrive® GEAR ハーモニックグリース® SK-2 / HarmonicGrease® SK-2
		主軸受部 / MAIN BEARING マルテンプ HL-D / Multemp HL-D
3	出力回転部外径(低速回転側) / OUTPUT DIAMETER OF ROTATIONAL PART (LOW-SPEED ROTATION SIDE)	

設計、取り扱いについてはカタログを参照してください。

DESIGNING AND/OR HANDLING OF HarmonicDrive® GEARS(HarmonicDrive® ACTUATORS) HAS TO COMPLY WITH TECHNICAL INFORMATION SHOWN IN HarmonicDrive® CATALOG.

REV	DESCRIPTION	DESIGN	DATE	TITLE
0	標準	K.HORIKAWA	2020/06/11	納入仕様図 / CONFIRMATION DRAWING
1	SPEC	T.HAGIWARA	2020/06/11	ARTICLE 製品名
2	仕様	N.Tanioka	2020/06/11	CSF-8-XXX-2UH-ULW

GENERAL TOLERANCE	0	0.5	6	30	120	315	1000	REMARKS : CHAMFER UNSPECIFIED SHARP CORNERS 0.25 / ALL UNSPECIFIED RADLL TO BE 0.5 MAX 備考 特記無き角はC0.2以下、すみのみはR0.4以下	DWG SIZE	UNIT	THIRD ANG	SCALE	2:1	DESIGN	K.HORIKAWA	2020/06/11	TITLE	納入仕様図 / CONFIRMATION DRAWING
機械加工公差	±0.05	±0.1	±0.2	±0.3	±0.5	±0.8	±1.2											
SURFACES MARKED EXCEPT AS NOTED									50S	25S	6.3S	HARMONIC DRIVE SYSTEMS   INC TOKYO JAPAN						
PROPRIETORSHIP This drawing (document) is the PROPERTY of Harmonic Drive Systems, Inc. and shall not be traced, otherwise copied or used for purposes other than agreed upon, nor communicated to any third party without written permission of Harmonic Drive Systems, Inc.										Registered Trademark in Japan.				DWG No	C005181	図番	—	