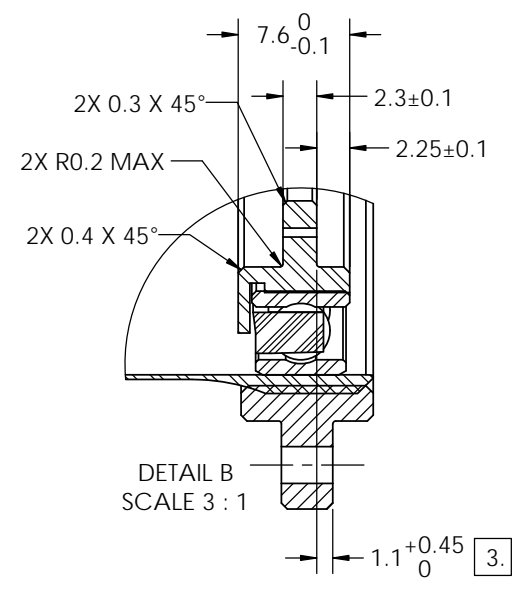
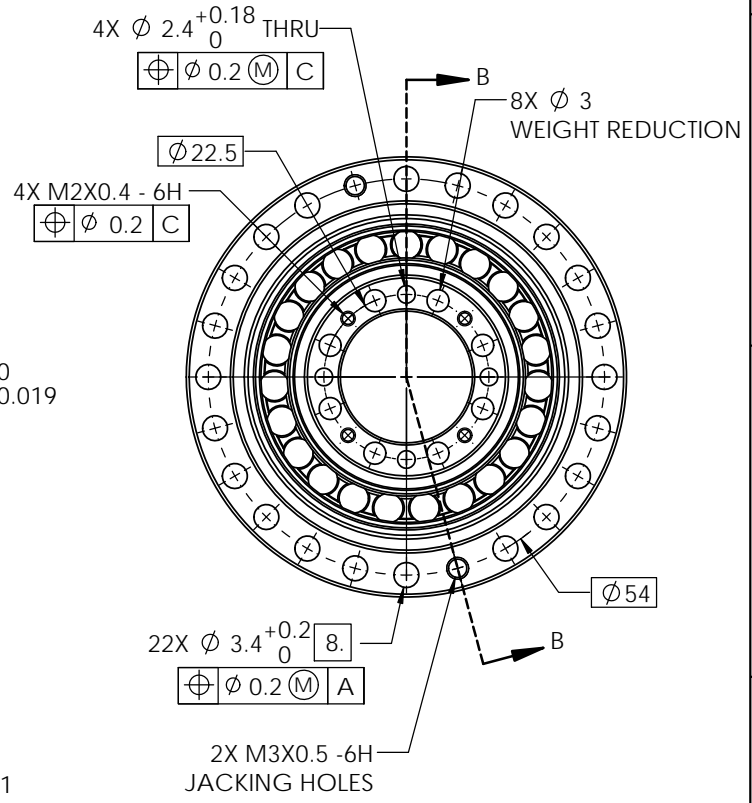
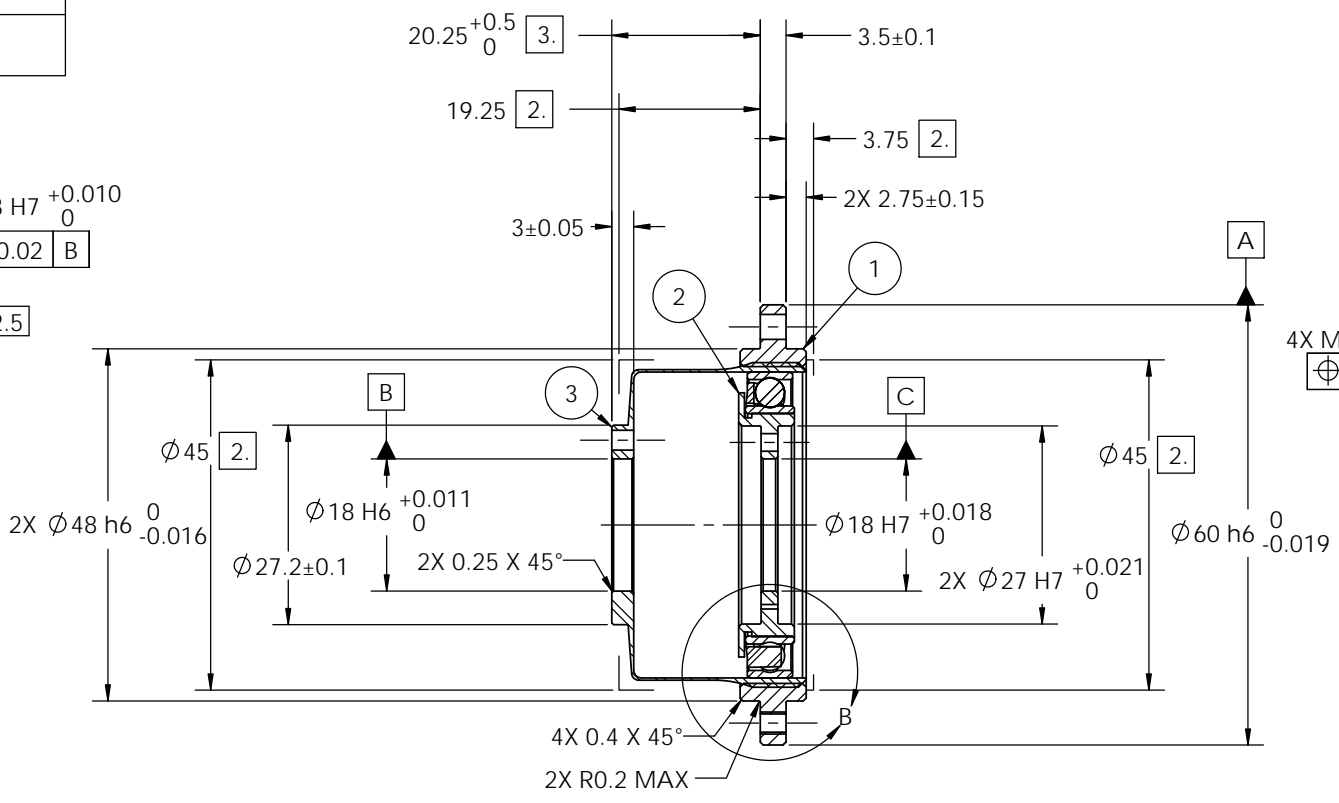
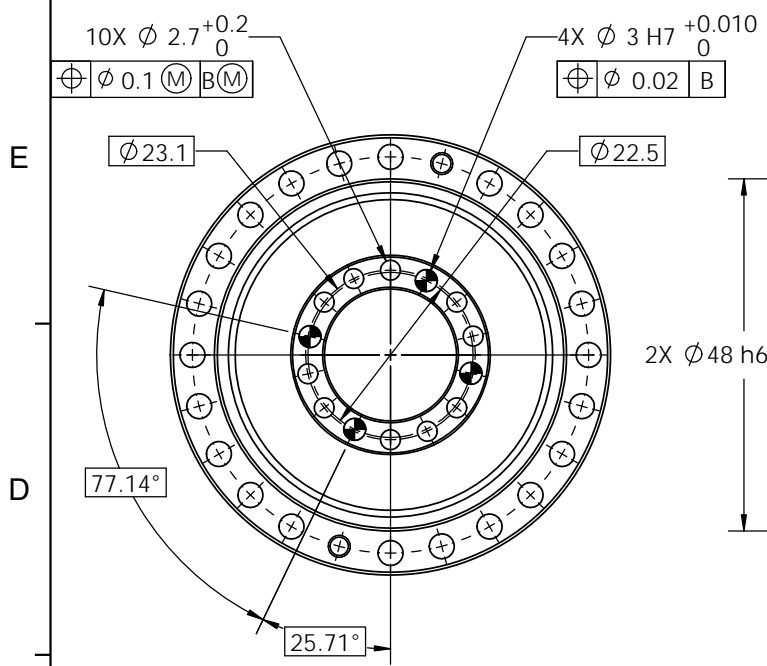


| ITEM | QTY | PART |
|------|-----|-------------------------|
| 1 | 1 | CIRCULAR SPLINE |
| 2 | 1 | WAVE GENERATOR ASSEMBLY |
| 3 | 1 | FLEXSPLINE |

| REVISIONS | | | | | |
|-----------|---------|-----------|----------|------|----------|
| REV | DCF NO. | BY | CHKD | APPD | DATE |
| A | 21-0142 | KBouchard | RELEASED | | 3/4/2021 |



- NOTES:
- DESIGN AND/OR HANDLING OF HARMONIC DRIVE PRODUCTS MUST BE IN COMPLIANCE WITH TECHNICAL INFORMATION FOUND IN HARMONIC DRIVE CATALOGS AT: WWW.HARMONICDRIVE.NET/DOWNLOADS/CATALOGS
 - MINIMUM HOUSING CLEARANCE.
 - DIMENSIONS ESTABLISH INTERFACE AND INSTALLATION REQUIREMENTS. MAINTAIN AT ASSEMBLY AND UNDER ALL OPERATING LOAD CONDITIONS.
 - THE CUSTOMER MATING PARTS MUST COMPENSATE FOR THE REDUCED RADIAL STIFFNESS OF THE WEIGHT REDUCED CIRCULAR SPLINE. IT IS RECOMMENDED TO PILOT THESE ITEMS ON THE $\phi 48$ h6 REGISTER DIAMETERS.
 - ALL CIRCULAR HOLE PATTERNS ARE EQUALLY SPACED UNLESS OTHERWISE SPECIFIED.
 - MAINTAIN COMPONENTS IN "AS RECEIVED" SERIALIZED SETS.
 - CONFIGURATION IS FOR GREASE LUBRICATION ONLY.
 - MAXIMUM TORQUE IS LIMITED BY TRANSMISSION TORQUE OF BOLTS AND PINS:
 FLEXSPLINE: 120Nm, IF MOUNTING WITH 10X M2.5 BOLTS AND 4X 3mm PINS
 CIRCULAR SPLINE: 130Nm, IF MOUNTING WITH 12X M3 BOLTS
 170Nm, IF MOUNTING WITH 16X M3 BOLTS
 - APPROXIMATE MASS FROM MODEL 104g

PROPRIETARY AND CONFIDENTIAL
 THIS DRAWING CONTAINS VALUABLE CONFIDENTIAL AND PROPRIETARY TRADE SECRET INFORMATION OF HARMONIC DRIVE LLC. COPYING, DISCLOSING, OR USING THIS INFORMATION WITHOUT THE EXPRESS WRITTEN AUTHORIZATION OF HARMONIC DRIVE LLC IS PROHIBITED.

THIS DOCUMENT WAS CREATED IN ACCORDANCE WITH ASME Y14.5-2018.
 DIMENSIONS ARE IN MM UNLESS OTHERWISE SPECIFIED.

| | |
|---------------------------------|-------------------------------------|
| DRAFTER KBouchard 12/17/2020 | CHECKER rberry 02/22/2021 |
| MAT'L ENG. twalsh 02/22/2021 | DESIGN ENG. KBouchard 02/22/2021 |
| MFG. ENG. DRyll 03/02/2021 | QUALITY NSToica 03/02/2021 |

SIMILAR TO 1010993

HarmonicDrive®
 42 DUNHAM RIDGE
 BEVERLY MA 01915-1844
www.harmonicdrive.net

TITLE: **INSTALLATION DRAWING**
CSG-17-XXX-2A-R-BB-LW

| | | | |
|------------------|---------------------------|----------------------------|-----------------|
| SIZE C | CAGE CODE 34519 | DWG. NO. 1010987 | REV A |
|------------------|---------------------------|----------------------------|-----------------|

SCALE: 3:2 SHEET 1 OF 1