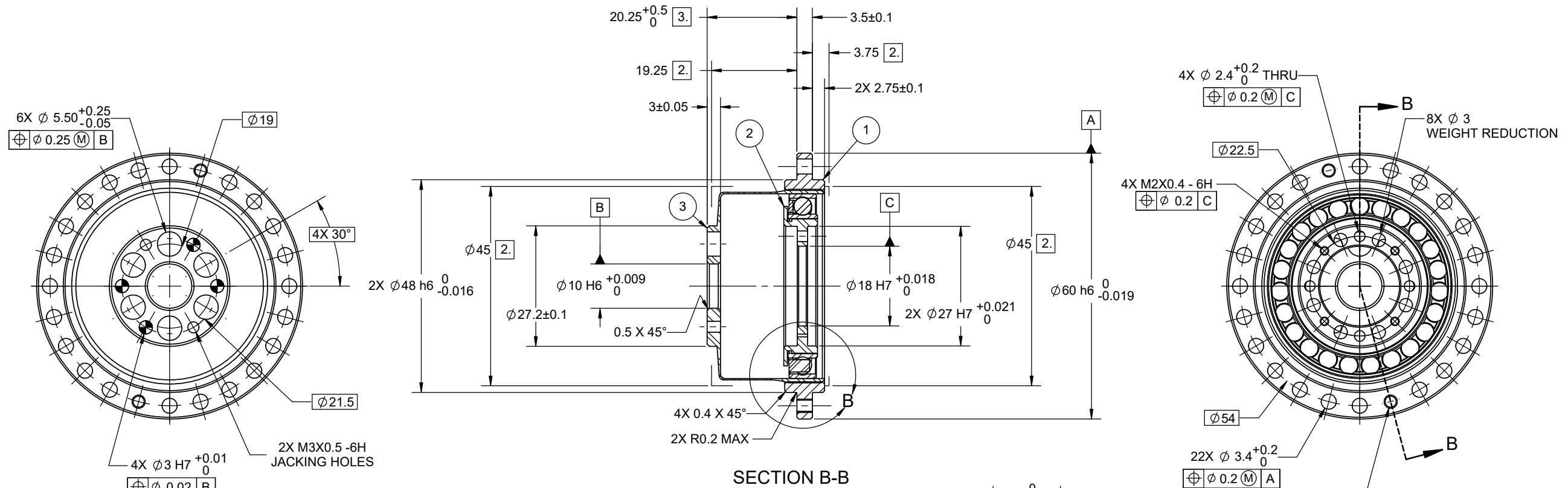
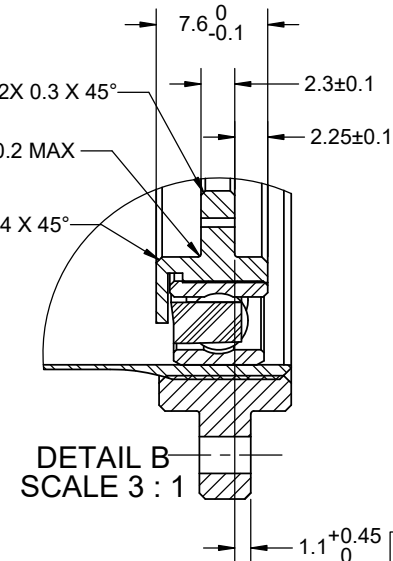


ITEM	QTY	PART
1	1	CIRCULAR SPLINE
2	1	WAVE GENERATOR ASSEMBLY
3	1	FLEXSPLINE

REVISIONS					
REV	DCF NO.	BY	CHKD	APPD	DATE
A	ER 18-222	WTH	RELEASED		6/11/2018
B	18-596	RWC	KAB		12/17/2018
C	20-1071	KBouchard	RGB	AMM	3/8/2021



SECTION B-B



DETAIL B  
SCALE 3 : 1

- NOTES:
- DESIGN AND/OR HANDLING OF HARMONIC DRIVE PRODUCTS MUST BE IN COMPLIANCE WITH TECHNICAL INFORMATION FOUND IN HARMONIC DRIVE CATALOGS AT: [WWW.HARMONICDRIVE.NET/DOWNLOADS/CATALOGS](http://WWW.HARMONICDRIVE.NET/DOWNLOADS/CATALOGS)
  - MINIMUM HOUSING CLEARANCE.
  - DIMENSIONS ESTABLISH INTERFACE AND INSTALLATION REQUIREMENTS. MAINTAIN AT ASSEMBLY AND UNDER ALL OPERATING LOAD CONDITIONS.
  - THE CUSTOMER MATING PARTS MUST COMPENSATE FOR THE REDUCED RADIAL STIFFNESS OF THE WEIGHT REDUCED CIRCULAR SPLINE. IT IS RECOMMENDED TO PILOT THESE ITEMS ON THE  $\phi 48$  h6 REGISTER DIAMETERS.
  - ALL CIRCULAR HOLE PATTERNS ARE EQUALLY SPACED, UNLESS OTHERWISE SPECIFIED.
  - MAINTAIN COMPONENTS IN "AS RECEIVED" SERIALIZED SETS.
  - DESIGN IS FOR GREASE LUBRICATION ONLY.
  - MINIMUM OF 16 SCREWS ARE REQUIRED TO MEET MAX MOMENTARY PEAK TORQUE.
  - APPROXIMATE MASS FROM MODEL 104 g.

**PROPRIETARY AND CONFIDENTIAL**  
THIS DRAWING CONTAINS VALUABLE CONFIDENTIAL AND PROPRIETARY TRADE SECRET INFORMATION OF HARMONIC DRIVE LLC. COPYING, DISCLOSING, OR USING THIS INFORMATION WITHOUT THE EXPRESS WRITTEN AUTHORIZATION OF HARMONIC DRIVE LLC IS PROHIBITED.

THIS DOCUMENT WAS CREATED IN ACCORDANCE WITH ASME Y14.5-2018.  
DIMENSIONS ARE IN MILLIMETERS UNLESS OTHERWISE SPECIFIED.

DRAFTER RWC 01/31/2018	CHECKER RWC 06/01/2018
MAT'L ENG. THB 06/06/2018	DESIGN ENG. WTH 06/06/2018
MFG. ENG. CDM 06/08/2018	QUALITY

THIRD ANGLE  
SIMILAR TO

**HarmonicDrive®**  
42 DUNHAM RIDGE  
BEVERLY MA 01915-1844  
[www.harmonicdrive.net](http://www.harmonicdrive.net)

TITLE: **INSTALLATION DRAWING**  
**CSG-17-XXX-2A-R-LW**

SIZE <b>C</b>	CAGE CODE <b>34519</b>	DWG. NO. <b>1010993</b>	REV <b>C</b>
------------------	---------------------------	----------------------------	-----------------

SCALE: 3:2 SHEET 1 OF 1