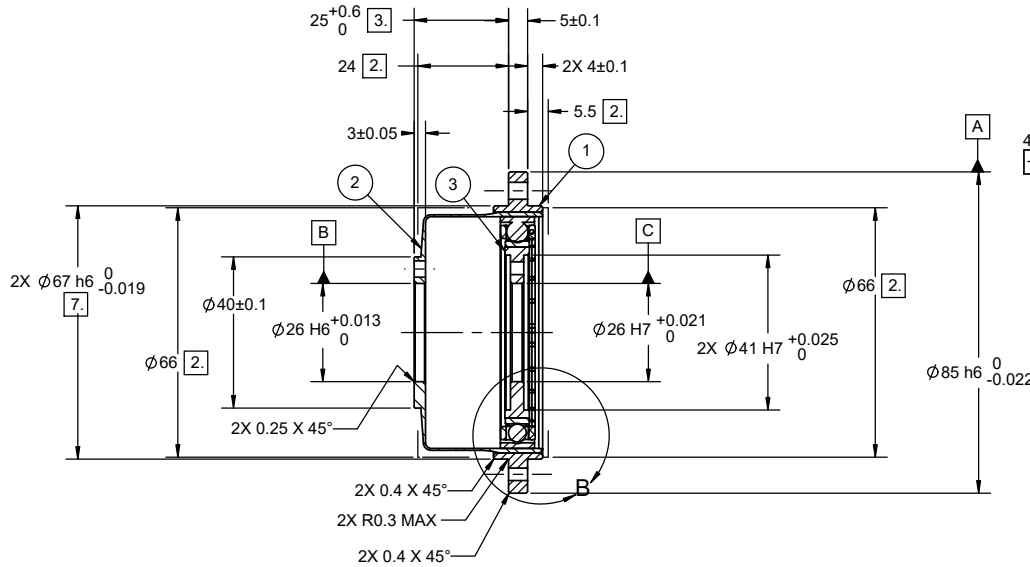
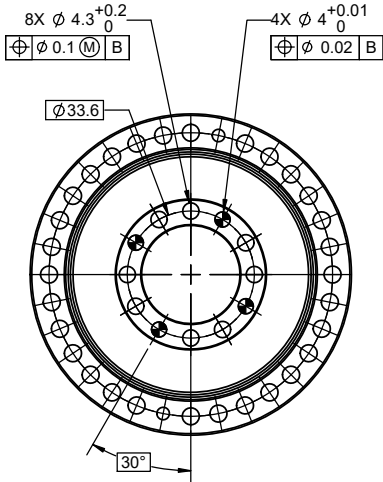
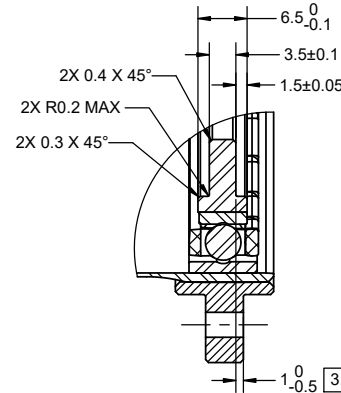


ITEM	QTY	PART
1	1	CIRCULAR SPLINE
2	1	FLEXSPLINE
3	1	WAVE GENERATOR ASSEMBLY

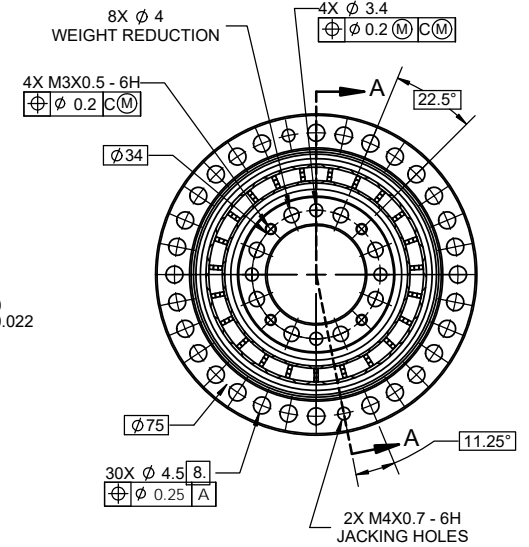
REVISIONS					
REV	DCF NO.	BY	CHKD	APPD	DATE
1	20-1089	KBouchard	RGB	AMM	12/17/2020
A	21-0012	KBouchard	RELEASED		1/22/2021



SECTION A-A



DETAIL B  
SCALE 2 : 1



NOTES:

- DESIGN AND/OR HANDLING OF HARMONIC DRIVE PRODUCTS MUST BE IN COMPLIANCE WITH TECHNICAL INFORMATION FOUND IN HARMONIC DRIVE CATALOGS AT: [WWW.HARMONICDRIVE.NET/DOWNLOADS/CATALOGS](http://WWW.HARMONICDRIVE.NET/DOWNLOADS/CATALOGS)
- MINIMUM HOUSING CLEARANCE.
- DIMENSIONS ESTABLISH INTERFACE AND INSTALLATION REQUIREMENTS. MAINTAIN AT ASSEMBLY AND UNDER ALL OPERATING LOAD CONDITIONS.
- ALL CIRCULAR HOLE PATTERNS ARE EQUALLY SPACED UNLESS OTHERWISE SPECIFIED.
- MAINTAIN COMPONENTS IN "AS RECEIVED" SERIALIZED SETS.
- CONFIGURATION IS FOR GREASE LUBRICATION ONLY.
- THE CUSTOMER MATING PARTS MUST COMPENSATE FOR THE REDUCED RADIAL STIFFNESS OF THE WEIGHT REDUCED CIRCULAR SPLINE. IT IS RECOMMENDED TO PILOT THESE ITEMS ON THE  $\phi 67$  h6 REGISTER DIAMETERS
- MAXIMUM TORQUE IS LIMITED BY TRANSMISSION TORQUE OF BOLTS AND PINS:  
FLEXSPLINE: 340 Nm (IF MOUNTING WITH 8X M4 BOLTS AND 4X 4mm PINS)  
CIRCULAR SPLINE: 440 Nm (IF MOUNTING WITH 16 M4 BOLTS)
- APPROXIMATE MASS FROM MODEL 244 g.

PROPRIETARY AND CONFIDENTIAL  
THIS DRAWING CONTAINS VALUABLE CONFIDENTIAL AND PROPRIETARY TRADE SECRET INFORMATION OF HARMONIC DRIVE LLC. COPYING, DISCLOSING, OR USING THIS INFORMATION WITHOUT THE EXPRESS WRITTEN AUTHORIZATION OF HARMONIC DRIVE LLC IS PROHIBITED.

THIS DOCUMENT WAS CREATED IN ACCORDANCE WITH ASME Y14.5-2018.

DIMENSIONS ARE IN MM UNLESS OTHERWISE SPECIFIED.

DRAFTER KBouchard 12/15/2020	CHECKER RBerry 01/13/2021
MAT'L ENG. Ibetteenc 01/18/2021	DESIGN ENG. KBouchard 01/18/2021
MFG. ENG. DRyll 01/19/2021	QUALITY NStolica 01/19/2021
SIMILAR TO	

1010995



**Harmonic Drive®**  
42 DUNHAM RIDGE  
BEVERLY MA 01915-1844  
[www.harmonicdrive.net](http://www.harmonicdrive.net)

TITLE:  
**INSTALLATION DRAWING  
CSG-25-XXX-2A-GR-BB-LW**

SIZE <b>C</b>	CAGE CODE <b>34519</b>	DWG. NO. <b>1010989</b>	REV <b>A</b>
SCALE: 1:1			SHEET 1 OF 1