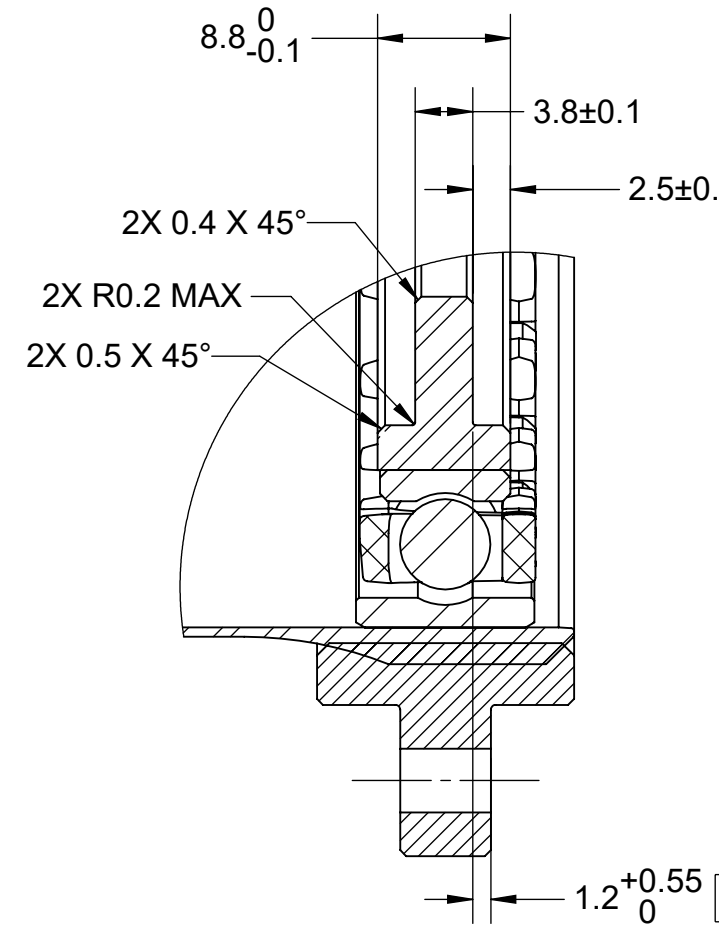
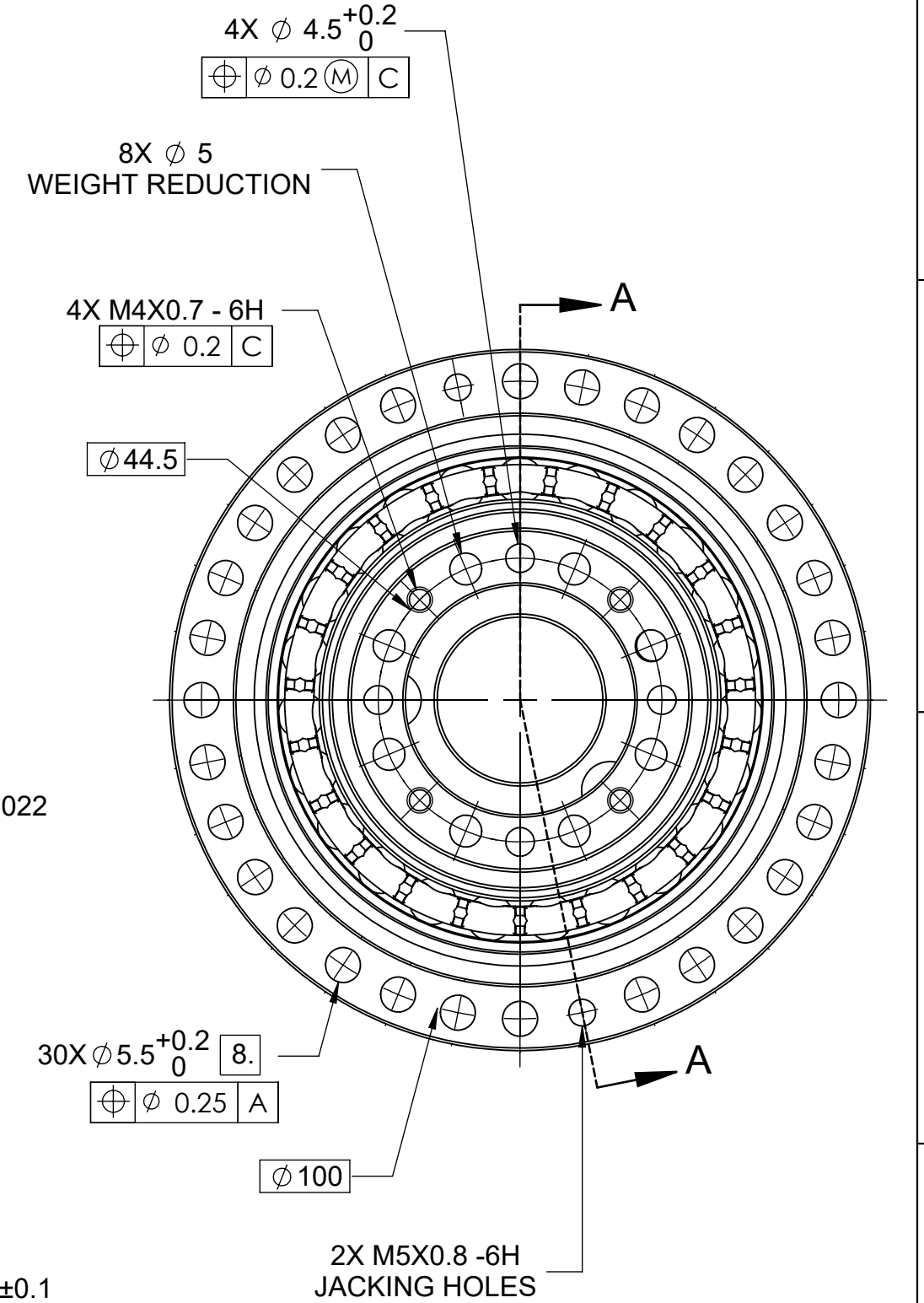
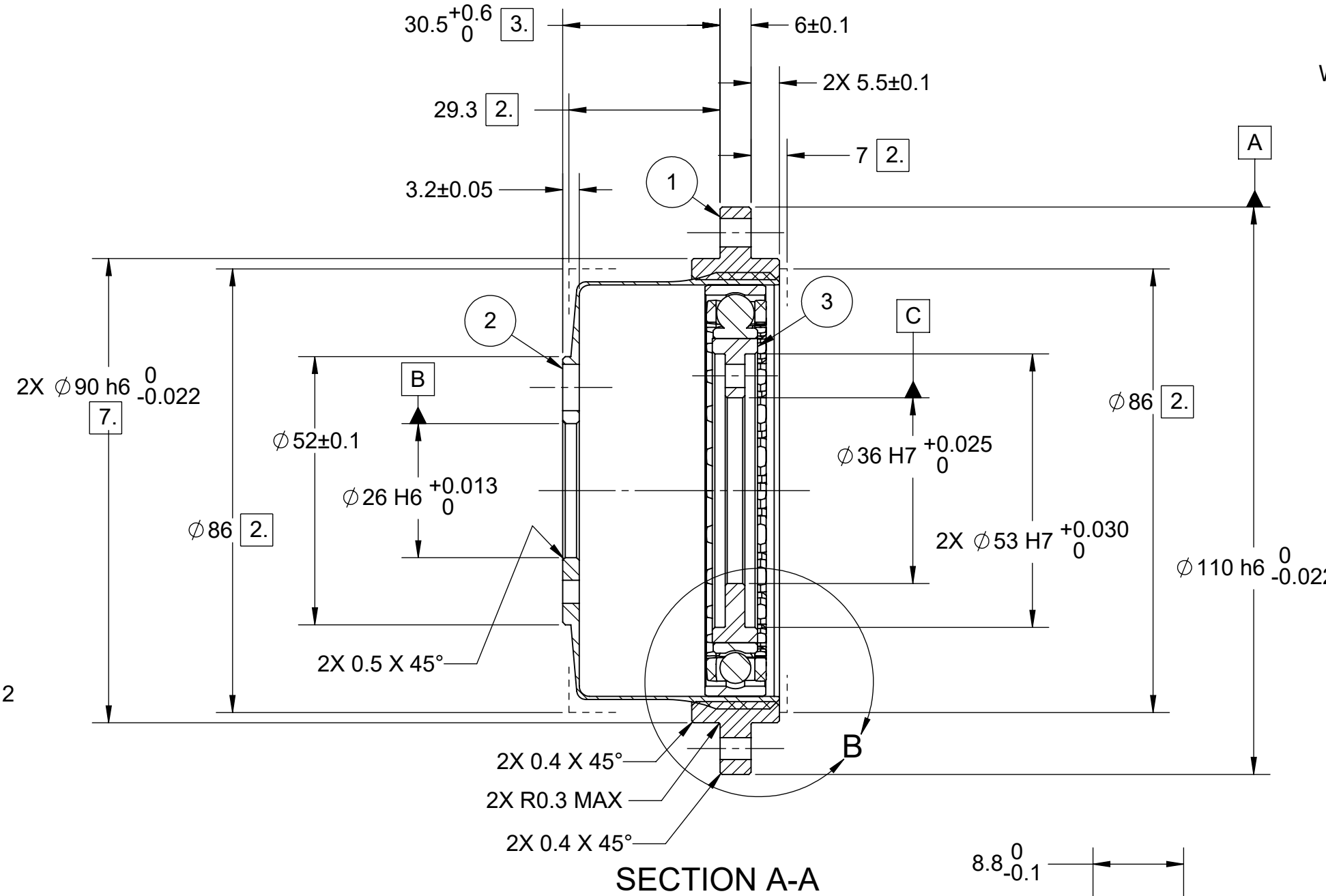
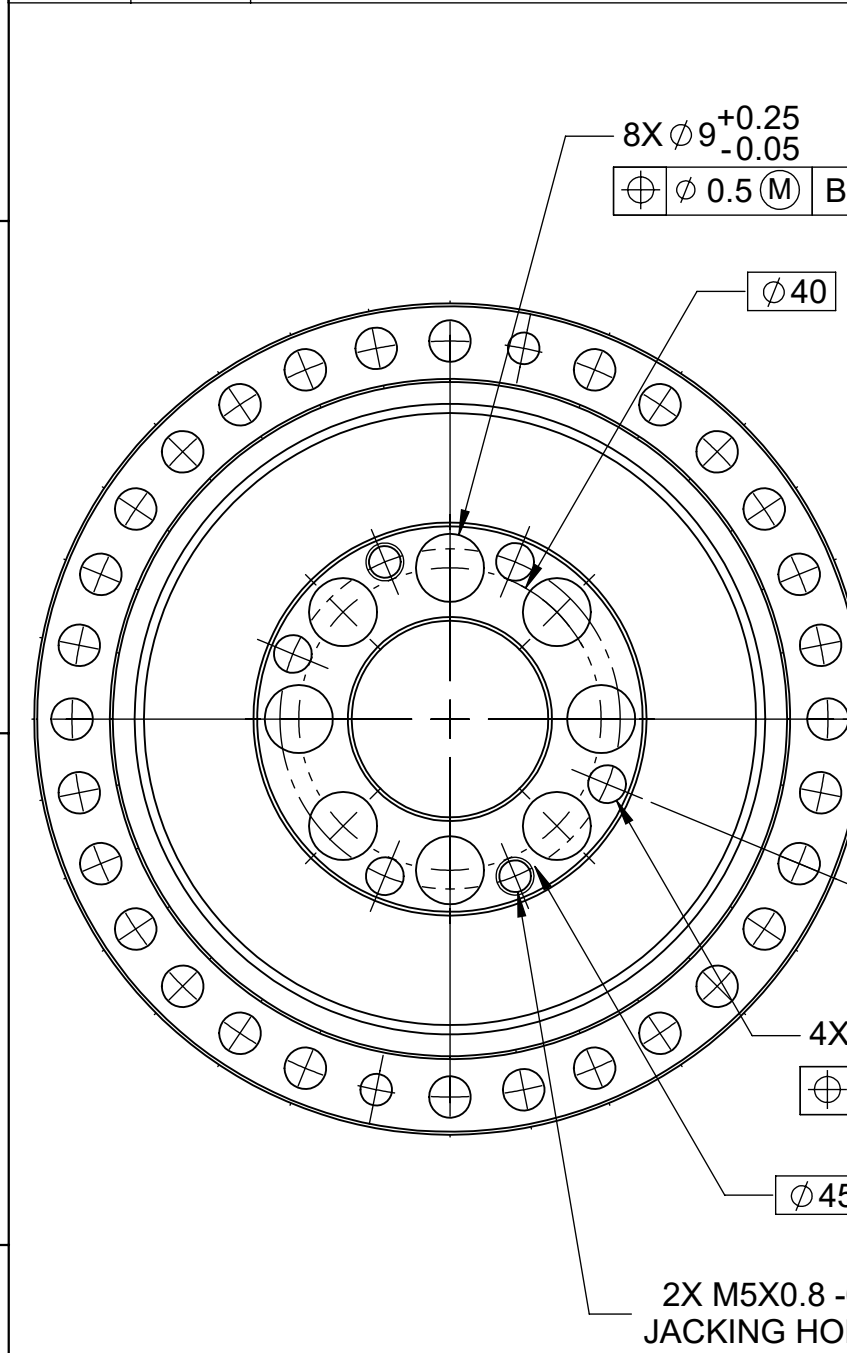


Item	Qty	PART
1	1	CIRCULAR SPLINE
2	1	FLEXSPLINE
3	1	WAVE GENERATOR ASSEMBLY

REVISIONS					
REV	DCF NO.	BY	CHKD	APPD	DATE
A	22-0173	KBouchard	RELEASED		3/1/2022



- NOTES:
- DESIGN AND/OR HANDLING OF HARMONIC DRIVE PRODUCTS MUST BE IN COMPLIANCE WITH TECHNICAL INFORMATION FOUND IN HARMONIC DRIVE CATALOGS AT: WWW.HARMONICDRIVE.NET/DOWNLOADS/CATALOGS
 - MINIMUM HOUSING CLEARANCE.
 - DIMENSIONS ESTABLISH INTERFACE AND INSTALLATION REQUIREMENTS. MAINTAIN AT ASSEMBLY AND UNDER ALL OPERATING LOAD CONDITIONS.
 - ALL CIRCULAR HOLE PATTERNS ARE EQUALLY SPACED UNLESS OTHERWISE SPECIFIED.
 - MAINTAIN COMPONENTS IN "AS RECEIVED" SERIALIZED SETS.
 - CONFIGURATION IS FOR GREASE LUBRICATION ONLY.
 - THE CUSTOMER MATING PARTS MUST COMPENSATE FOR THE REDUCED RADIAL STIFFNESS OF THE WEIGHT REDUCED CIRCULAR SPLINE. IT IS RECOMMENDED TO PILOT THESE ITEMS ON THE Ø90 h6 REGISTER DIAMETERS.
 - MINIMUM OF 16 SCREWS ARE REQUIRED TO MEET MAX MOMENTARY PEAK TORQUE OF 892Nm.
 - TO ORDER, USE PART NUMBER 34-032XXXLWUS, WHERE XXX IS THE RATIO.

PROPRIETARY AND CONFIDENTIAL
 THIS DRAWING CONTAINS VALUABLE CONFIDENTIAL AND PROPRIETARY TRADE SECRET INFORMATION OF HARMONIC DRIVE LLC. COPYING, DISCLOSING, OR USING THIS INFORMATION WITHOUT THE EXPRESS WRITTEN AUTHORIZATION OF HARMONIC DRIVE LLC IS PROHIBITED.

THIRD ANGLE

THIS DOCUMENT WAS CREATED IN ACCORDANCE WITH ASME Y14.5-2018.

DIMENSIONS ARE IN MILLIMETERS UNLESS OTHERWISE SPECIFIED.

DRAFTER RWC 12/10/2018	CHECKER NLeBerth 02/16/2022
MAT'L ENG. twalsh 02/17/2022	DESIGN ENG. KBouchard 02/16/2022
MFG. ENG. DRyll 02/22/2022	QUALITY amorlock 03/01/2022
SIMILAR TO	



Harmonic Drive®
 42 DUNHAM RIDGE
 BEVERLY MA 01915-1844
www.harmonicdrive.net

TITLE:
**INSTALLATION DRAWING
 CSG-32-XXX-2A-GR-LW**

SIZE C	CAGE CODE 34519	DWG. NO. 1010996	REV A
SCALE: 1:1			SHEET 1 OF 1