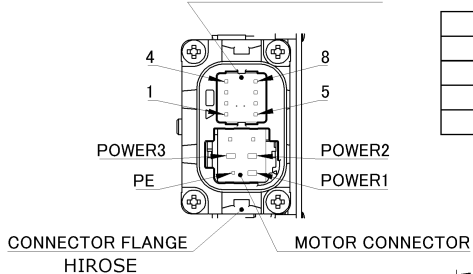


ENCODER CONNECTOR

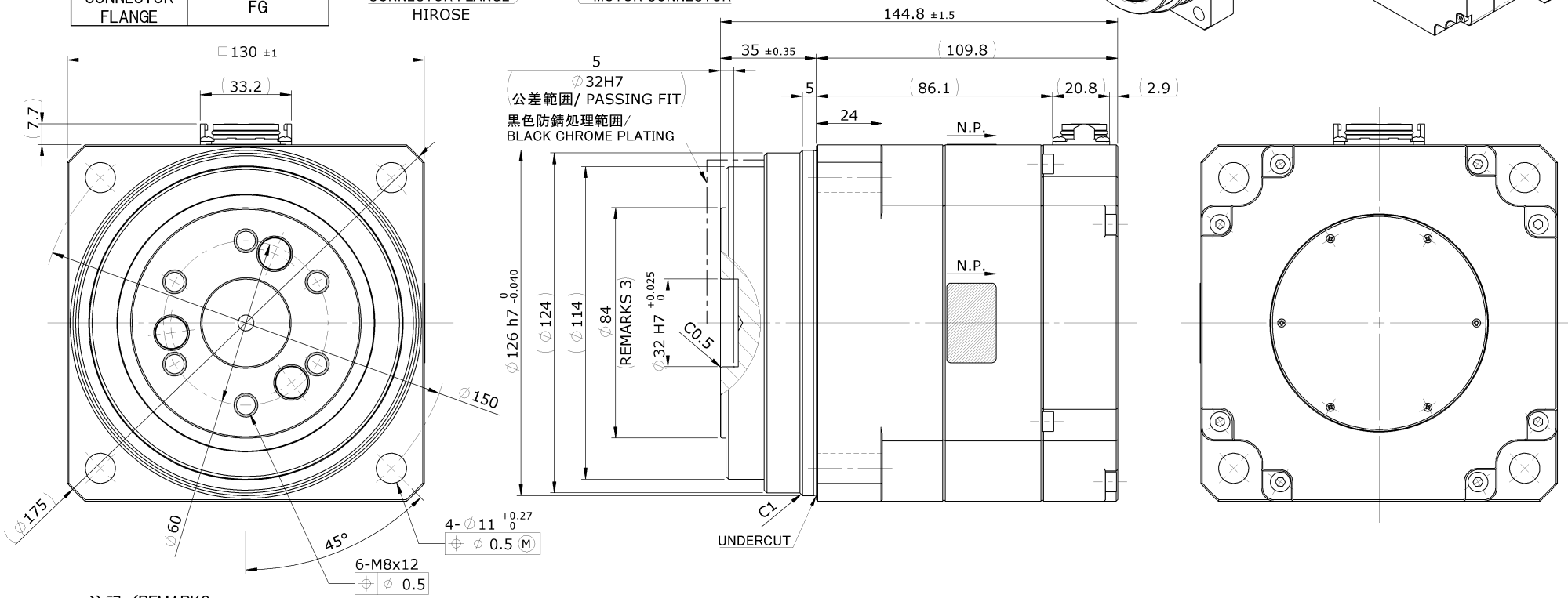
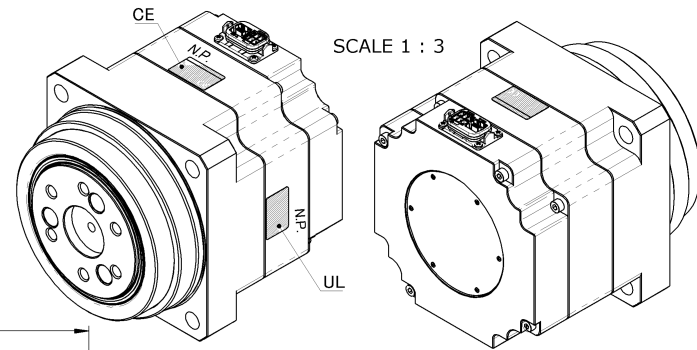
No.	SIGNAL
1	Vbat
2	GND(bat)
3	Vcc
4	GND(Vcc)
5	-
6	-
7	SD+
8	SD-
CONNECTOR FLANGE	FG

ENCODER CONNECTOR



MOTOR CONNECTOR

No.	SIGNAL
POWER1	U
POWER2	V
POWER3	W
PE	PE



注記/REMARKS

1.	入力電源電圧(ドライバ) / INPUT SUPPLY VOLTAGE(DRIVER)	AC200V
2.	中継ケーブル / EXTENSION CABLE	EWE-SERIES
3.	回転部 / ROTATIONAL PART	

アクチュエータ仕様、取り扱いについては技術資料【FPAシリーズ技術資料】を参照してください。
 DESIGNING AND/OR HANDLING OF HarmonicPlanetary®/ACTUATORS HAS TO COMPLY WITH TECHNICAL INFORMATION SHOWN IN FPA SERIES MANUAL.

REV	DESCRIPTION	DESIGN	DATE	TITLE
0	標準	S.Komazawa	2026/01/14	納入仕様図/CONFIRMATION DRAWING
1	SPEC仕様	T.HIRABAYASHI	2026/01/21	ARTICLE 製品名
2		N.Tanioka	2026/01/21	FPA32A21F0HG-F12A200-32S24bA-C

GENERAL TOLERANCE	0	0.5	6	30	120	315	1000	REMARKS	DWG SIZE	UNIT	THIRD ANG
機械加工公差	0.5	0.5	6	30	120	315	1000	REMARKS : ALL CHAMFER UNSPECIFIED SHARP CORNERS TO BE 0.2 MAX / ALL UNSPECIFIED-RADII TO BE 0.4 MAX 備考 特記無き角はC0.2以下、すみのみはR0.4以下	A3	mm	0
表面公差	±0.05	±0.1	±0.2	±0.3	±0.5	±0.8	±1.2	SURFACES MARKED EXCEPT AS NOTED			
					50S	25S	6.3S				

SCALE	1:1.5
VRFD換図	T.HIRABAYASHI 2026/01/21
APPD承認	N.Tanioka 2026/01/21

DWG No	C020600
図番	