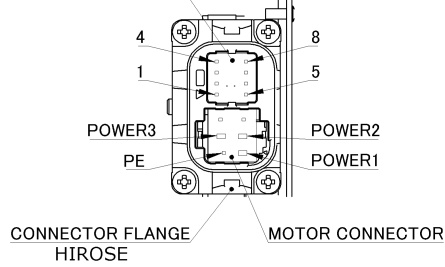


ENCODER CONNECTOR

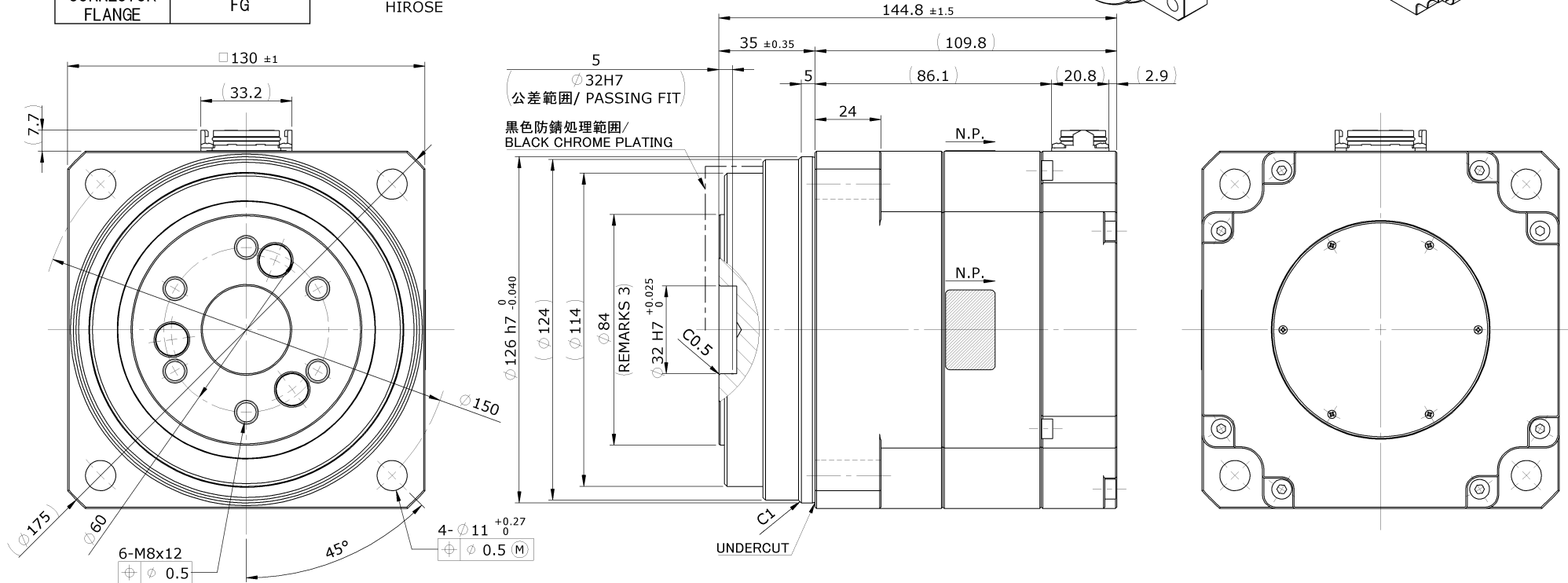
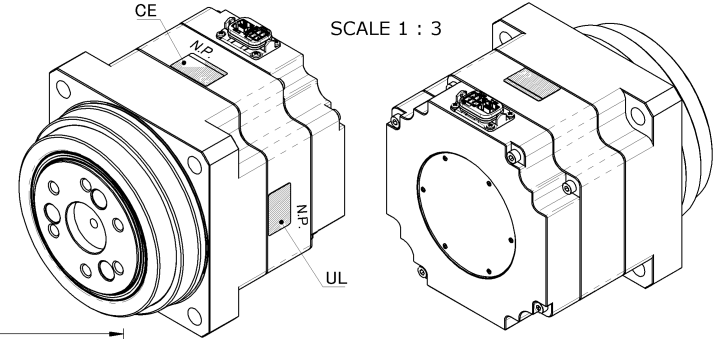
No.	SIGNAL
1	Vbat
2	GND(bat)
3	Vcc
4	GND(Vcc)
5	-
6	-
7	SD+
8	SD-
CONNECTOR FLANGE	FG

ENCODER CONNECTOR



MOTOR CONNECTOR

No.	SIGNAL
POWER1	U
POWER2	V
POWER3	W
PE	PE



注記/REMARKS

1.	入力電源電圧(ドライバ) / INPUT SUPPLY VOLTAGE(DRIVER)	AC200V
2.	中継ケーブル / EXTENSION CABLE	EWE-SERIES
3.	回転部 / ROTATIONAL PART	

アクチュエータ仕様、取り扱いについては技術資料【FPAシリーズ技術資料】を参照してください。
DESIGNING AND/OR HANDLING OF Harmonic Planetary*/ACTUATORS HAS TO COMPLY WITH TECHNICAL INFORMATION SHOWN IN FPA SERIES MANUAL.

REV	DESCRIPTION	DESIGN	DATE	TITLE
0	初版	S.Komazawa	2026/01/14	納入仕様図/CONFIRMATION DRAWING
1	仕様変更	T.HIRABAYASHI	2026/01/21	ARTICLE 製品名
2	修正	N.Tanioka	2026/01/21	FPA32A45F0HG-F12A200-32S24ba-C

標準	SPEC	SCALE	1:1.5
GENERAL TOLERANCE	0 0.5 6 30 120 315 1000	DWG SIZE	A3
機械加工公差	0.5 6 30 120 315 1000 2000	UNIT	mm
表面公差	±0.05 ±0.1 ±0.2 ±0.3 ±0.5 ±0.8 ±1.2	THIRD ANG	30°

REMARKS: ALL CHAMFER UNSPECIFIED SHARP CORNERS TO BE 0.2 MAX / ALL UNSPECIFIED-RADII TO BE 0.4 MAX
備考 特記無き角はC0.2以下、すみのみはR0.4以下
SURFACES MARKED EXCEPT AS NOTED
▽ 50S ▽ 25S ▽ 6.3S

PROPRIETORSHIP This drawing (document) is the PROPERTY of Harmonic Drive Systems, Inc. and shall not be traced, otherwise copied or used for purposes other than agreed upon, nor communicated to any third party without written permission of Harmonic Drive Systems, Inc. Registered Trademark in Japan.

INC SYSTEMS TOKYO JAPAN

DWG No 020672