

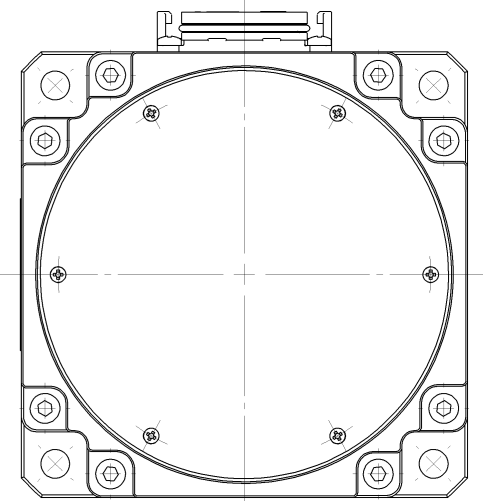
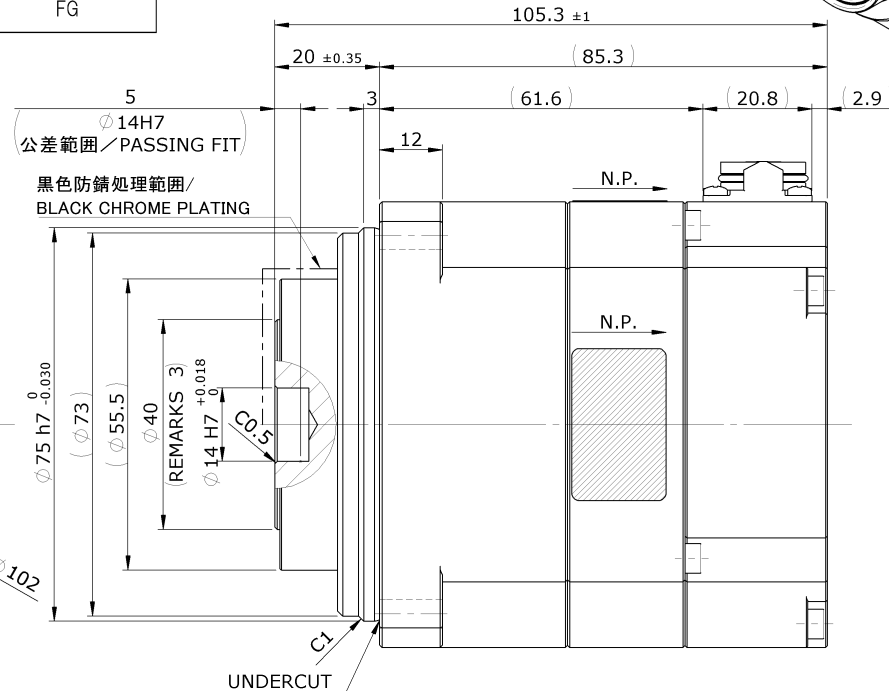
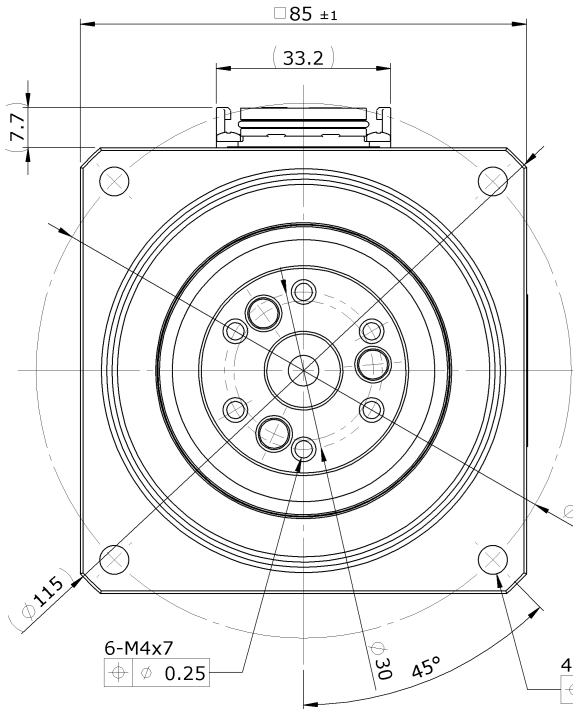
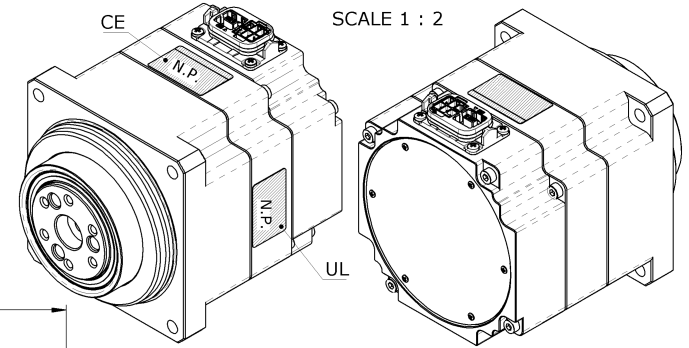
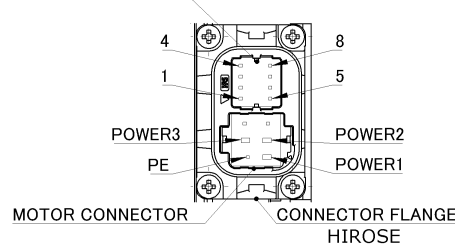
MOTOR CONNECTOR

No.	SIGNAL
POWER1	U
POWER2	V
POWER3	W
PE	PE

ENCODER CONNECTOR

No.	SIGNAL
1	Vbat
2	GND(bat)
3	Vcc
4	GND(Vcc)
5	-
6	-
7	SD+
8	SD-
CONNECTOR FLANGE	FG

ENCODER CONNECTOR



注記/REMARKS

1.	入力電源電圧(ドライバ) / INPUT SUPPLY VOLTAGE(DRIVER)	AC200V
2.	中継ケーブル / EXTENSION CABLE	EWE-SERIES
3.	回転部 / ROTATIONAL PART	

アクチュエータ仕様、取り扱いについては技術資料【FPAシリーズ技術資料】を参照してください。
DESIGNING AND/OR HANDLING OF HarmonicPlanetary®/ACTUATORS HAS TO COMPLY WITH TECHNICAL INFORMATION SHOWN IN FPA SERIES MANUAL.

REV	訂正	DESCRIPTION	DESIGN	設計	DATE	TITLE
標準			S.TAKAYAMA	2026/01/08	納入仕様図/CONFIRMATION DRAWING	
			T.HIRABAYASHI	2026/01/09	ARTICLE 製品名	
			N.Tanioka	2026/01/09	FPA14A33F0HG-F08A200-32S24ba-C	
REMARKS : ALL CHAMFER UNSPECIFIED SHARP CORNERS TO BE 0.2 MAX / ALL UNSPECIFIED RADIUS TO BE 0.4 MAX			SCALE	1:1		
SURFACES MARKED EXCEPT AS NOTED			DWG SIZE	A3		
50S 25S 6.3S			UNIT	mm		
THIRD ANG						
PROPRIETORSHIP This drawing (document) is the PROPERTY of Harmonic Drive Systems, Inc. and shall not be traced, otherwise copied or used for purposes other than agreed upon, nor communicated to any third party without written permission of Harmonic Drive Systems, Inc.			Registered Trademark in Japan.			
DWG No			C020985			