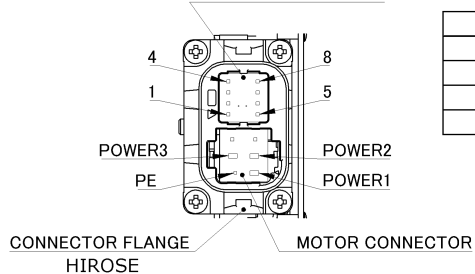


ENCODER CONNECTOR

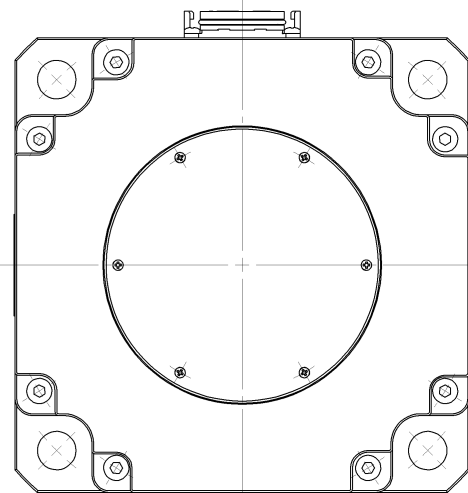
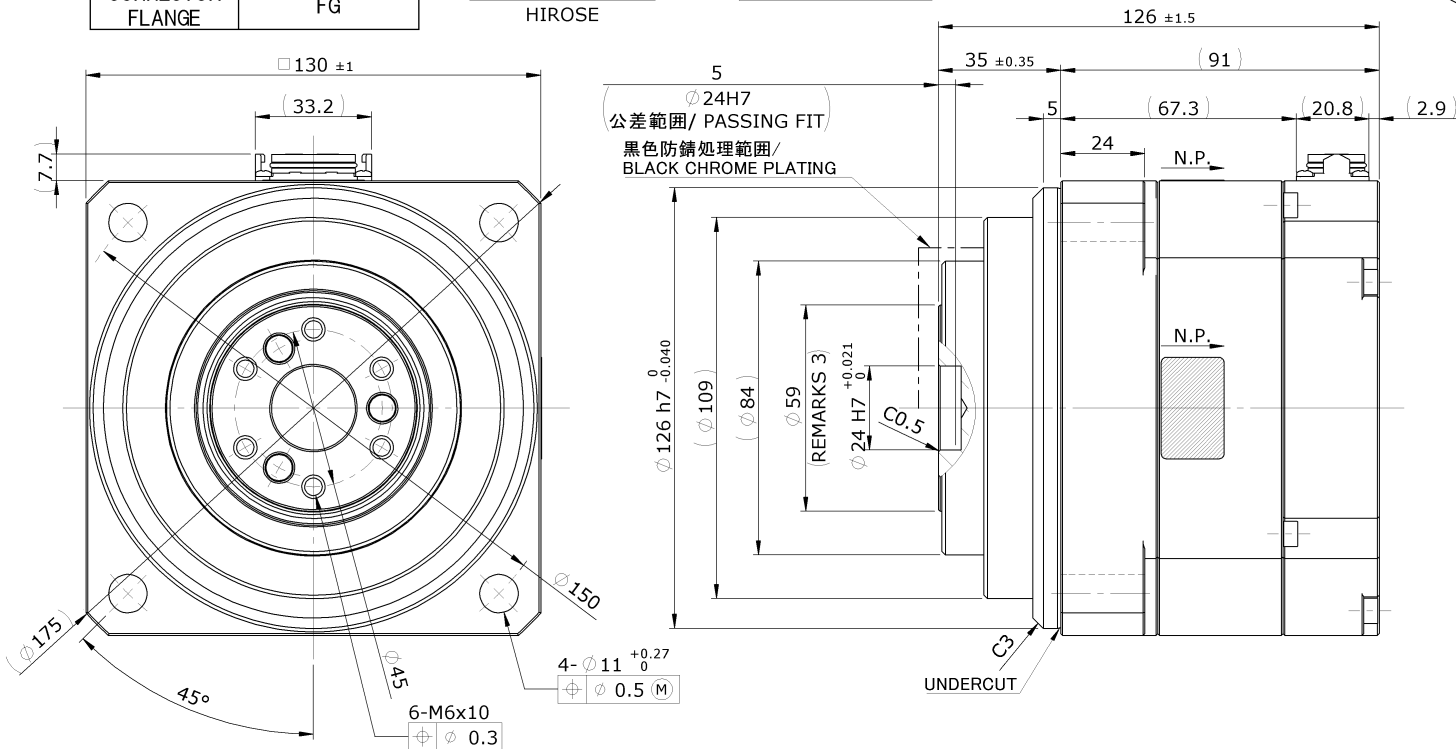
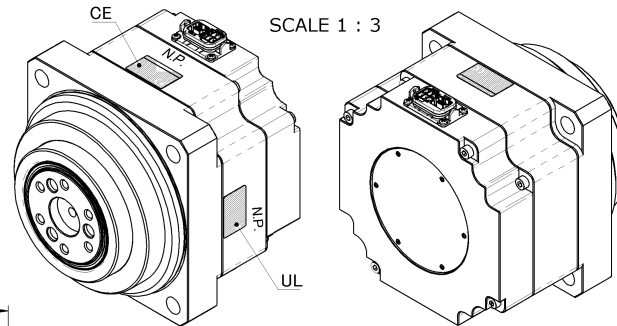
No.	SIGNAL
1	Vbat
2	GND(bat)
3	Vcc
4	GND(Vcc)
5	-
6	-
7	SD+
8	SD-
CONNECTOR FLANGE	FG

ENCODER CONNECTOR



MOTOR CONNECTOR

No.	SIGNAL
POWER1	U
POWER2	V
POWER3	W
PE	PE



注記/REMARKS

1.	入力電源電圧(ドライバ) / INPUT SUPPLY VOLTAGE(DRIVER)	AC200V
2.	中継ケーブル / EXTENSION CABLE	EWE-SERIES
3.	回転部 / ROTATIONAL PART	

アクチュエータ仕様、取り扱いについては技術資料【FPAシリーズ技術資料】を参照してください。
 DESIGNING AND/OR HANDLING OF HarmonicPlanetary®/ACTUATORS HAS TO COMPLY WITH TECHNICAL INFORMATION SHOWN IN FPA SERIES MANUAL.

REV	DESCRIPTION	DESIGN	DATE	TITLE
0	訂正	S.Komazawa	2026/01/09	納入仕様図/CONFIRMATION DRAWING
1	標準	T.HIRABAYASHI	2026/01/27	ARTICLE 製品名
2	SPEC仕様	N.Tanioka	2026/01/27	FPA20A05F0HG-F12A200-32S24bA-C

GENERAL TOLERANCE	0	0.5	6	30	120	315	1000	REMARKS	DWG SIZE	UNIT	THIRD ANG
機械加工公差	0.5	6	30	120	315	1000	2000	REMARKS : ALL CHAMFER UNSPECIFIED SHARP CORNERS TO BE 0.2 MAX / ALL UNSPECIFIED-RADII TO BE 0.4 MAX 備考 特記無き角は0.2以下、すみのみはR0.4以下	A3	mm	0
表面公差	±0.05	±0.1	±0.2	±0.3	±0.5	±0.8	±1.2	SURFACES MARKED EXCEPT AS NOTED			
								50S 25S 6.3S			

PROPRIETORSHIP	This drawing (document) is the PROPERTY of Harmonic Drive Systems, Inc. and shall not be traced, otherwise copied or used for purposes other than agreed upon, nor communicated to any third party without written permission of Harmonic Drive Systems, Inc.		Registered Trademark in Japan.
DWG No	C021146	図番	