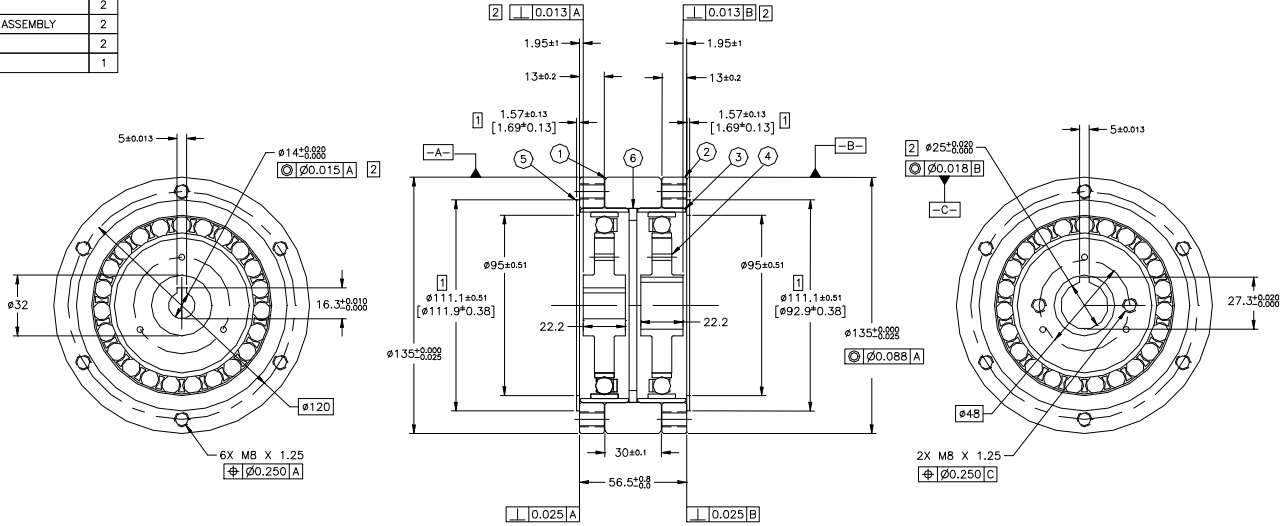


PARTS LIST		
1	DYNAMIC CIRCULAR SPLINE	1
2	STATIC CIRCULAR SPLINE	2
3	FLEXSPLINE	2
4	WAVE GENERATOR ASSEMBLY	2
5	WEAR WASHERS	2
6	SPACER RING	1



NOTES:

1. TO TRAP FLEXSPLINE IN PROPER POSITION, HARDENED WASHERS ARE SUPPLIED. THESE WASHERS MUST BE RETAINED AXIALLY AS WELL AS RADIALLY TO DIMENSION GIVEN.

NOTE: IF CUSTOMER'S MOUNTING SURFACES ARE HARD [Rc 44-47] AND EXTEND DOWN TO THE GIVEN DIMENSION THE WASHERS WILL NOT BE NECESSARY.

2. DIMENSIONS ESTABLISH INTERFACE AND INSTALLATION REQUIREMENTS. MAINTAIN AT ASSEMBLY AND UNDER ALL OPERATING CONDITIONS.

3. WEIGHT lb/kgf 9.00/4.09

NOTICE:
All specifications and dimensions shown in the drawing are subject to change without notice. This drawing is the property of Harmonic Drive LLC. This data is intended to be accurate. However, Harmonic Drive LLC assumes no liability for any errors or omissions in the specifications, models or drawings.
Harmonic Drive LLC
14800-02-10332
www.harmonicdrive.net

DATE	BY	CHKD	APPR	ISSUE DATE
02-07-08	RGB			
HDB-40 INSTALLATION				
REV	DATE	BY	APP	
D	34519			1010355
SCALE	1:1			
SHEET 1 OF 1				