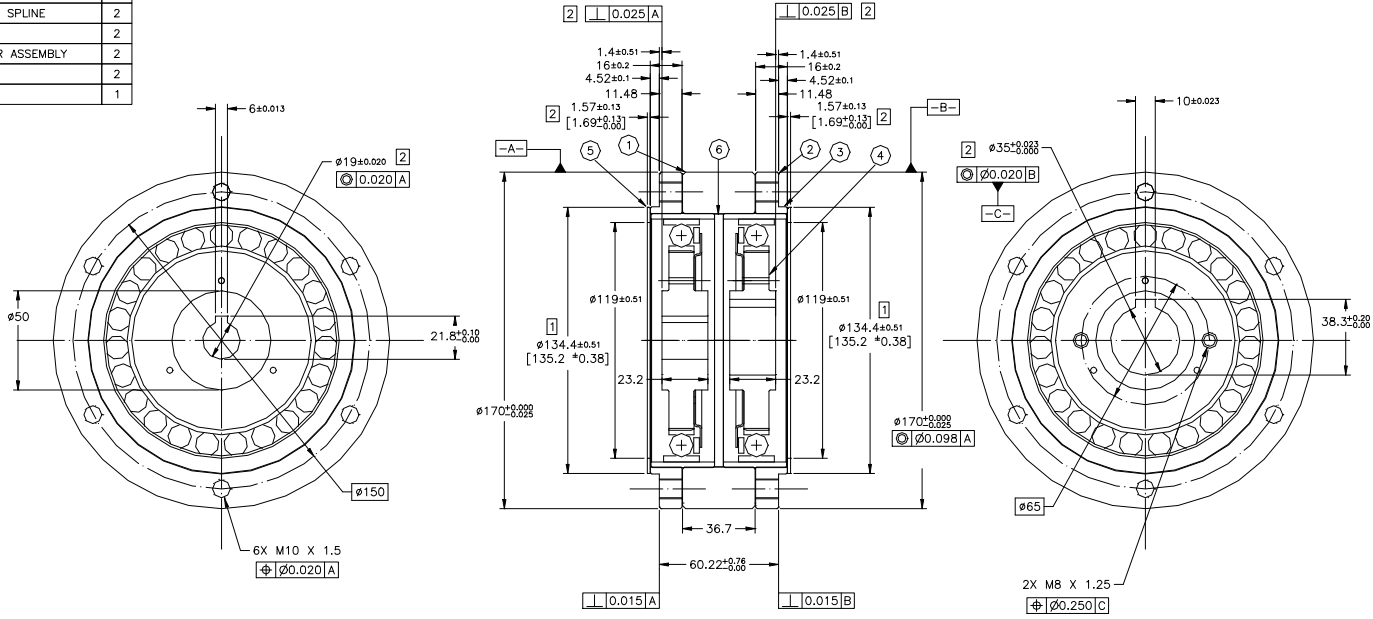


PARTS LIST		
1	DYNAMIC CIRCULAR SPLINE	1
2	STATIC CIRCULAR SPLINE	2
3	FLEXSPLINE	2
4	WAVE GENERATOR ASSEMBLY	2
5	WEAR WASHERS	2
6	SPACER RING	1

LTR	EDA NO	BY	CHKD	APPD	ISSUE DATE
A	02-076	RSE	REL TO MAN		



NOTES:

1. TO TRAP FLEXSPLINE IN PROPER POSITION, HARDENED WASHERS ARE SUPPLIED. THESE WASHERS MUST BE RETAINED AXIALLY AS WELL AS RADially TO DIMENSION GIVEN  
 NOTE: IF CUSTOMER'S MOUNTING SURFACES ARE HARD [Rc 44-47] AND EXTEND DOWN TO THE GIVEN DIMENSION THE WASHERS WILL NOT BE NECESSARY.
2. DIMENSIONS ESTABLISH INTERFACE AND INSTALLATION REQUIREMENTS. MAINTAIN AT ASSEMBLY AND UNDER ALL OPERATING CONDITIONS.
3. WEIGHT lb/kgf 15.30/6.9

Notes:  
 All specifications and dimensions shown in the drawing are subject to change without notice. This drawing is the property of Harmonic Drive LLC. This data is believed to be accurate; however, Harmonic Drive LLC assumes no liability for any errors or omissions in the specifications, models or drawings.

Harmonic Drive LLC  
 148 800-9621-3333  
 www.harmonicdrive.net

UNLESS OTHERWISE SPECIFIED				MATERIAL		FINISH		TOLERANCES UNLESS OTHERWISE SPECIFIED	
UNLESS OTHERWISE SPECIFIED	TOLERANCES UNLESS OTHERWISE SPECIFIED	UNLESS OTHERWISE SPECIFIED	UNLESS OTHERWISE SPECIFIED	UNLESS OTHERWISE SPECIFIED	UNLESS OTHERWISE SPECIFIED	UNLESS OTHERWISE SPECIFIED	UNLESS OTHERWISE SPECIFIED	UNLESS OTHERWISE SPECIFIED	UNLESS OTHERWISE SPECIFIED
UNLESS OTHERWISE SPECIFIED	UNLESS OTHERWISE SPECIFIED	UNLESS OTHERWISE SPECIFIED	UNLESS OTHERWISE SPECIFIED	UNLESS OTHERWISE SPECIFIED	UNLESS OTHERWISE SPECIFIED	UNLESS OTHERWISE SPECIFIED	UNLESS OTHERWISE SPECIFIED	UNLESS OTHERWISE SPECIFIED	UNLESS OTHERWISE SPECIFIED
UNLESS OTHERWISE SPECIFIED	UNLESS OTHERWISE SPECIFIED	UNLESS OTHERWISE SPECIFIED	UNLESS OTHERWISE SPECIFIED	UNLESS OTHERWISE SPECIFIED	UNLESS OTHERWISE SPECIFIED	UNLESS OTHERWISE SPECIFIED	UNLESS OTHERWISE SPECIFIED	UNLESS OTHERWISE SPECIFIED	UNLESS OTHERWISE SPECIFIED

CONTROL NO. \_\_\_\_\_  
 DATE: \_\_\_\_\_  
 DRAWN BY: \_\_\_\_\_  
 CHECKED BY: \_\_\_\_\_  
 APPROVED BY: \_\_\_\_\_  
 DATE: \_\_\_\_\_  
 SCALE: 1:1  
 SHEET: 1 OF 1

Harmonic Drive LLC  
 800-9621-3333  
 www.harmonicdrive.net

**HDB-50 INSTALLATION**  
 PART NO: **1010356**  
 REV: **D** DATE: **3/19**