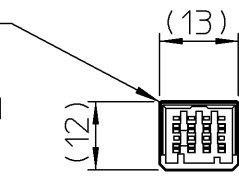
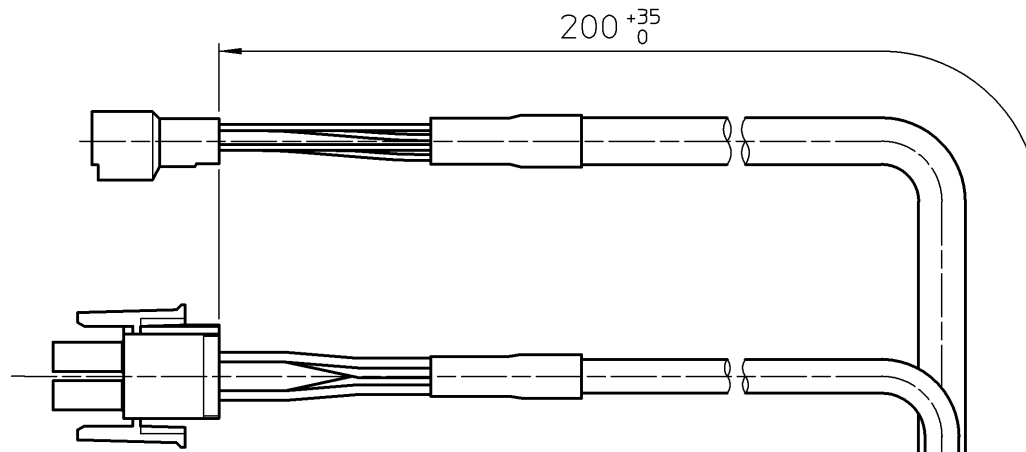
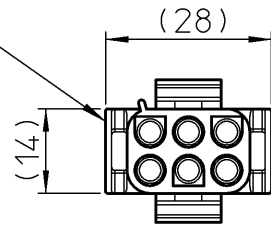


ENCODER CONNECTOR
HOUSING :1-1903130-4
TAB CONTACT :1903117-2
ITE Connectivity (AMP) I



MOTOR CONNECTOR

HOUSING :350715-1
PIN CONTACT (U·V·W) :350690-1
PIN CONTACT (PE) :350669-1
ITE Connectivity (AMP) I



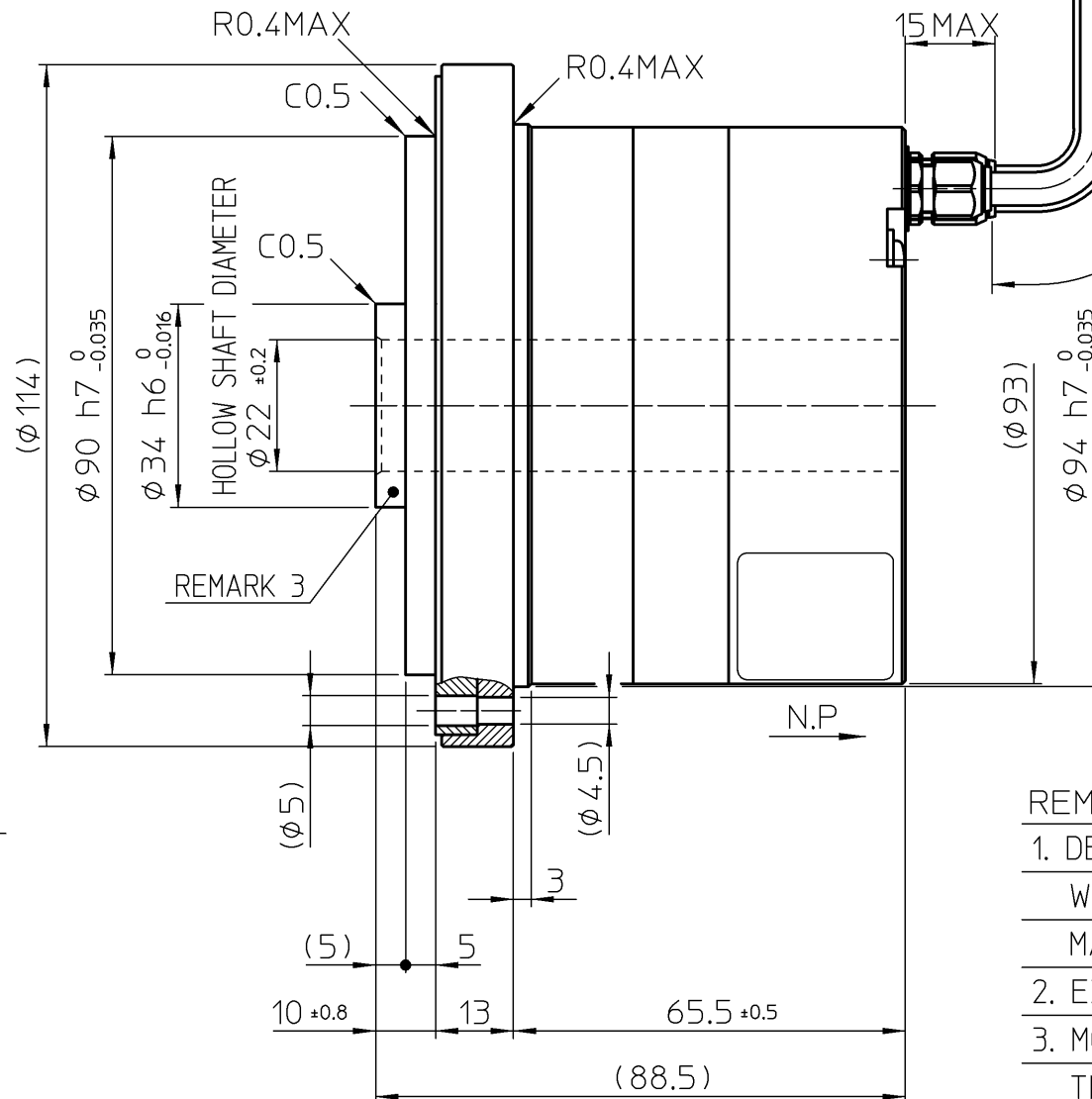
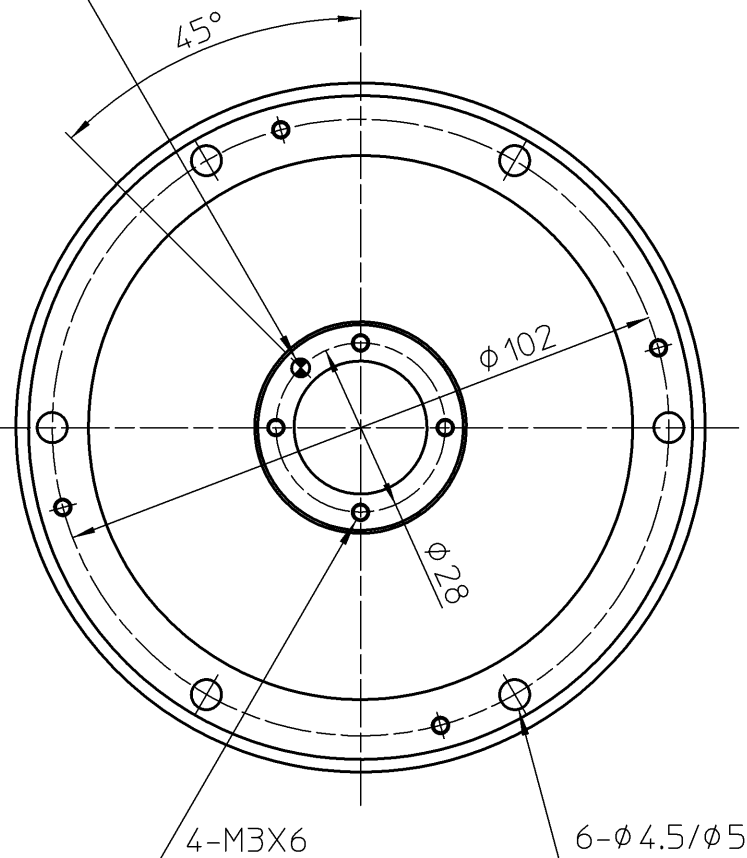
MOTOR CONNECTOR

PIN No.	SIGNAL
1	U
2	V
3	W
4	PE
5	—
6	—

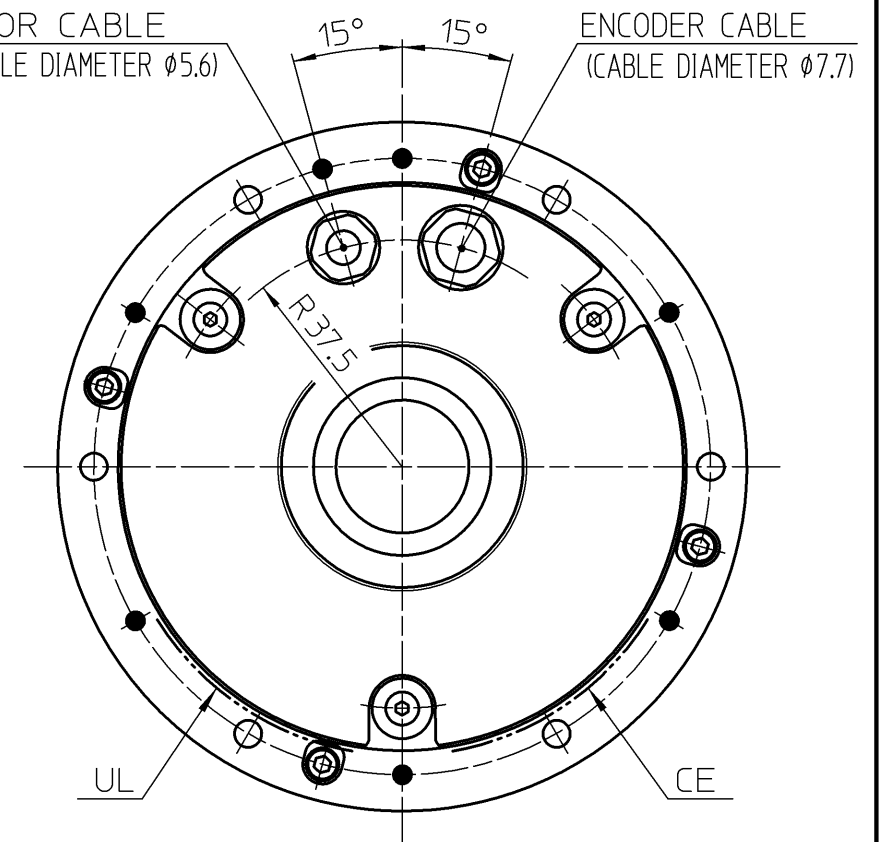
ENCODER CONNECTOR

Pin No.	SIGNAL
1A	Vcc
2A	SD+
3A	—
4A	Vbat
1B	GND (Vcc)
2B	SD-
3B	FG
4B	GND (bat)

$\phi 3$ H7 $+0.010$ X5 $\phi 0.08$



MOTOR CABLE
(CABLE DIAMETER $\phi 5.6$)



PROPRIETORSHIP
This drawing (document) is the **PROPERTY** of Harmonic Drive Systems, Inc. and shall not be traced, otherwise copied or used for purposes other than agreed upon, nor communicated to any third party without written permission of Harmonic Drive Systems, Inc.

REMARKS

- DESIGNING AND/OR HANDLING OF MOTORS HAS TO COMPLY WITH TECHNICAL INFORMATION SHOWN IN HMA SERIES MANUAL.
- EXTENSION CABLES : IEWD-MB SERIES | IEWD-S SERIES |
- MOTOR-SHAFT MATERIAL : SUS420J2
THE MOTOR-SHAFT DOES NOT BE RUST PREVENTION.
- REGISTERED TRADEMARK IN JAPAN.

訂正 REV	来歴 DESCRIPTION	設計 DESIGN	T. ICHIKAWA	Mar-23-18	タイトル TITLE	CONFIRMATION DRAWING				
仕様 SPEC		検図 VRFD	K. FURUTA	Mar-23-18	製品名 ARTICLE	HMAB09A100-10S17bA-C				
機械加工無記号公差 GENERAL TOLERANCE	備考 REMARKS : 特記無き角はC0.2以下、すみの丸みはR0.4以下 無記号表面アブラサ	承認 APPD	T. Hirabayashi	Mar-23-18	図番 DWG No	B0C0456 -				
0 0.5 1 1.5 2 3 4 5 6 7 8 9 10 11 12 13 14 15 16 17 18 19 20 21 22 23 24 25 26 27 28 29 30 31 32 33 34 35 36 37 38 39 40 41 42 43 44 45 46 47 48 49 50 51 52 53 54 55 56 57 58 59 60 61 62 63 64 65 66 67 68 69 70 71 72 73 74 75 76 77 78 79 80 81 82 83 84 85 86 87 88 89 90 91 92 93 94 95 96 97 98 99 100	50S 25S 6.3S	尺度 SCALE	1:1.25	DWG SIZE	A3	UNIT	mm	THIRD ANG		
± 0.05 ± 0.1 ± 0.2 ± 0.3 ± 0.5 ± 0.8 ± 1.2	SURFACES MARKED EXCEPT AS NOTED									