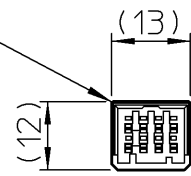
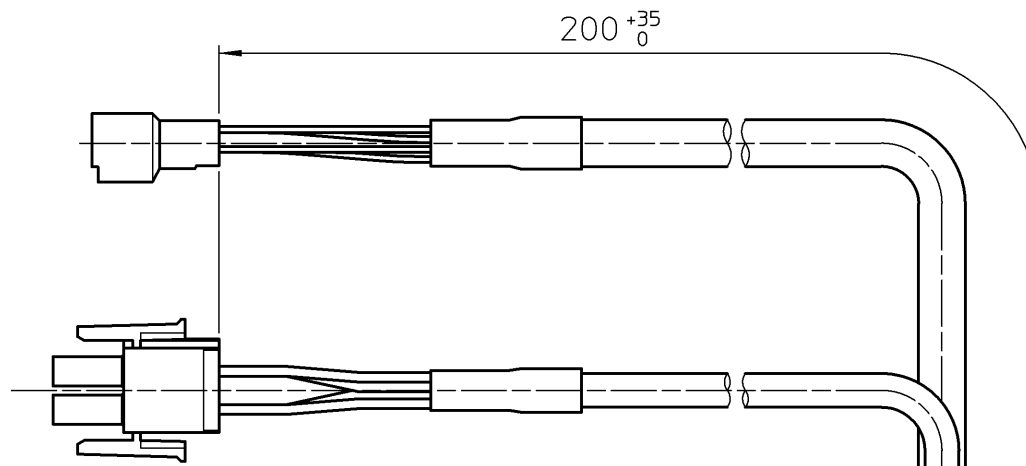
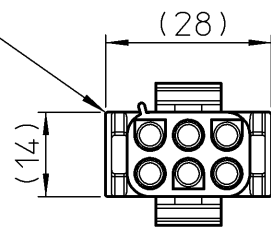


ENCODER CONNECTOR  
 HOUSING :1-1903130-4  
 TAB CONTACT :1903117-2  
 ITE Connectivity (AMP) I



MOTOR/BRAKE CONNECTOR  
 HOUSING :350715-1  
 PIN CONTACT (U·V·W) :350690-1  
 PIN CONTACT (PE) :350669-1  
 PIN CONTACT (BRAKE) :350690-1  
 ITE Connectivity (AMP) I



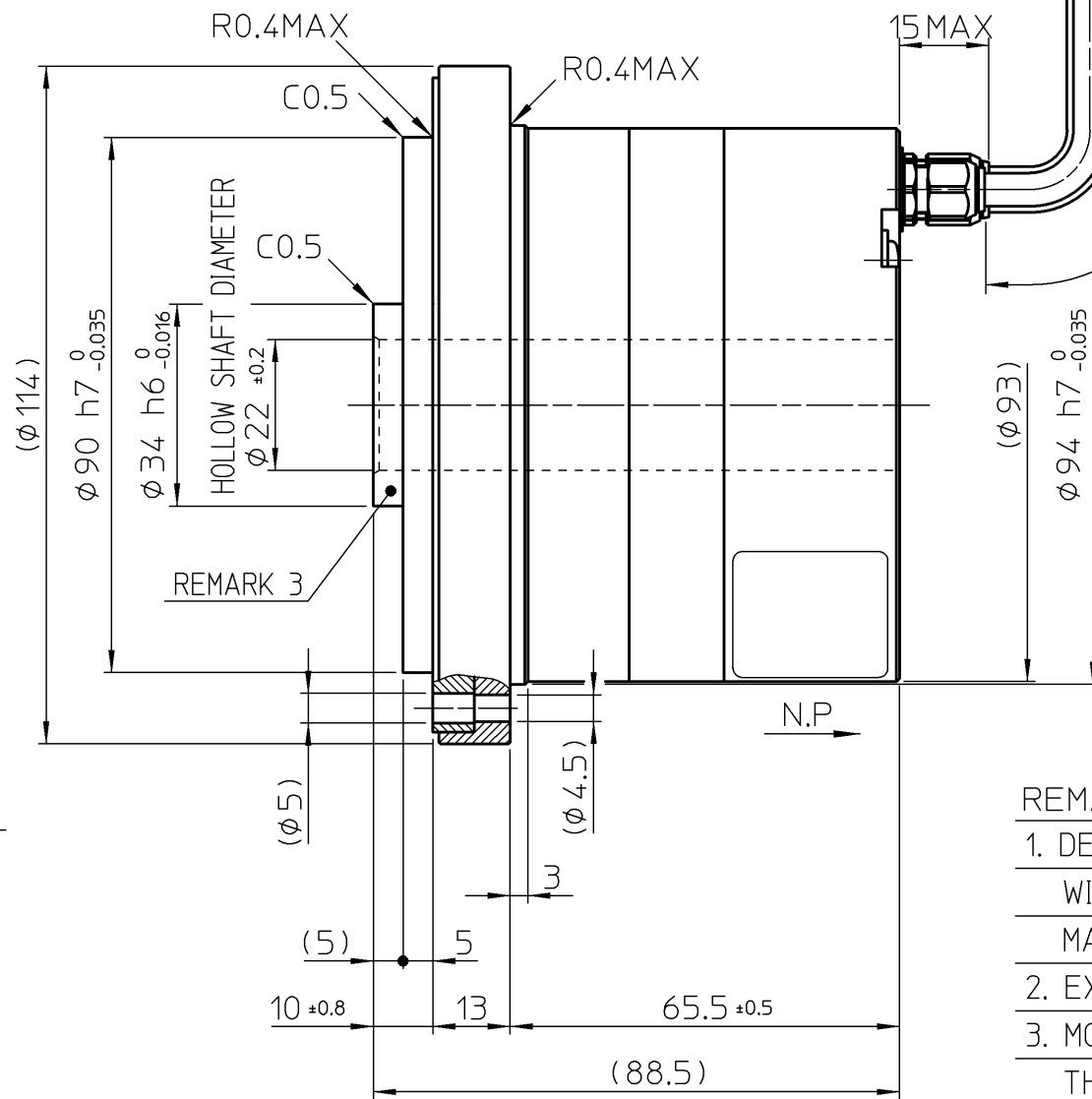
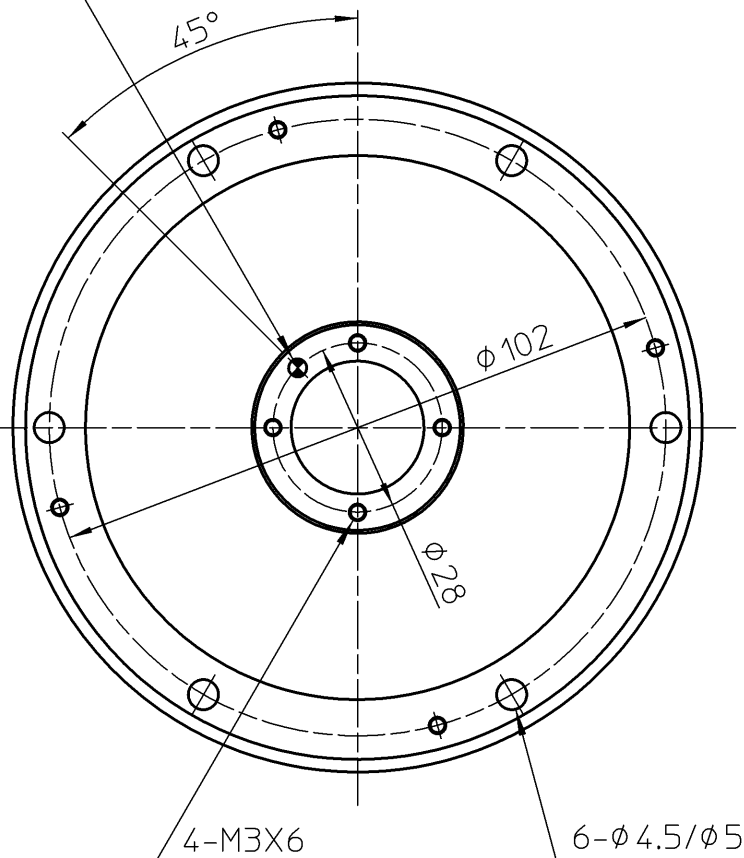
MOTOR/BRAKE CONNECTOR

PIN No.	SIGNAL
1	U
2	V
3	W
4	PE
5	BRAKE
6	BRAKE

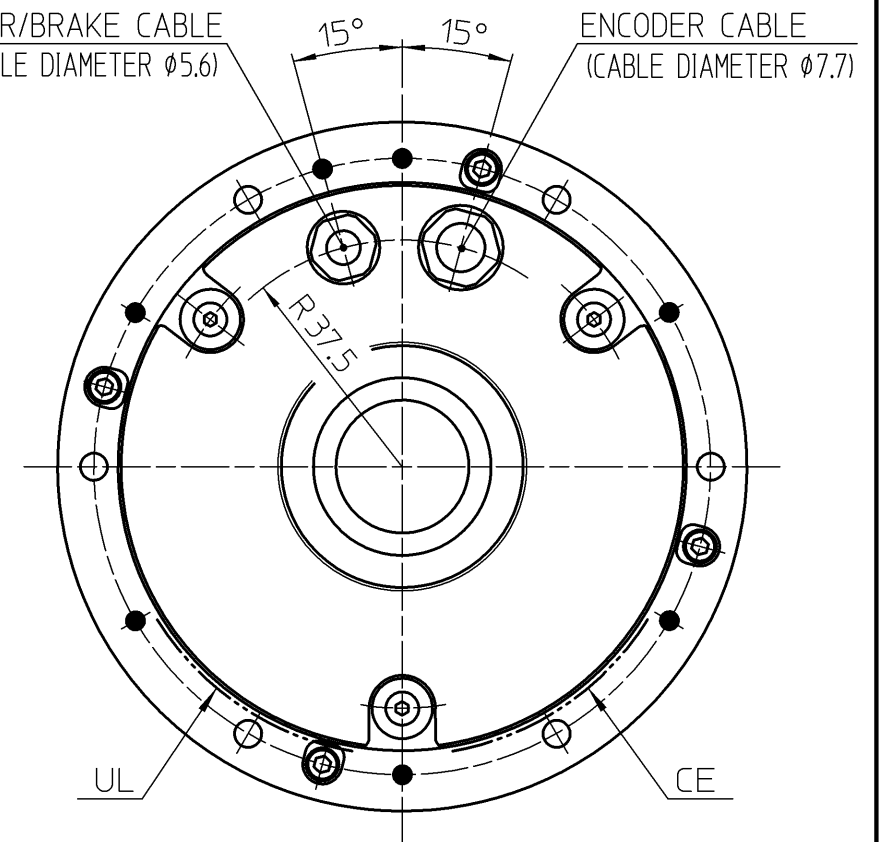
ENCODER CONNECTOR

Pin No.	SIGNAL
1A	Vcc
2A	SD+
3A	—
4A	Vbat
1B	GND (Vcc)
2B	SD-
3B	FG
4B	GND (bat)

φ3 H7 +0.010 X5  
 φ0.08



MOTOR/BRAKE CABLE  
 (CABLE DIAMETER φ5.6)



**PROPRIETORSHIP**  
 This drawing (document) is the **PROPERTY** of Harmonic Drive Systems, Inc. and shall not be traced, otherwise copied or used for purposes other than agreed upon, nor communicated to any third party without written permission of Harmonic Drive Systems, Inc.

REMARKS

- DESIGNING AND/OR HANDLING OF MOTORS HAS TO COMPLY WITH TECHNICAL INFORMATION SHOWN IN HMA SERIES MANUAL.
- EXTENSION CABLES : IEWD-MB SERIES | IEWD-S SERIES |
- MOTOR-SHAFT MATERIAL : SUS420J2  
THE MOTOR-SHAFT DOES NOT BE RUST PREVENTION.
- REGISTERED TRADEMARK IN JAPAN.

訂正 REV	来歴 DESCRIPTION	設計 DESIGN T. ICHIKAWA Mar-23-18	タイトル TITLE CONFIRMATION DRAWING
仕様 SPEC		検図 VRFD K. FURUTA Mar-23-18	製品名 ARTICLE HMAB09B100-10S17bA-C
機械加工無記号公差 GENERAL TOLERANCE	備考 REMARKS : 特記無き角はC0.2以下、すみの丸みはR0.4以下	承認 APPD T. Hirabayashi Mar-23-18	
0 0.5 6 30 120 315 1000	無記号表面アラサ SURFACES MARKED EXCEPT AS NOTED	尺度 SCALE 1:1.25	
0.5 6 30 120 315 1000 2000	50S 25S 6.3S	DWG SIZE A3	
±0.05 ±0.1 ±0.2 ±0.3 ±0.5 ±0.8 ±1.2	▽ → ▽ ∇ → ∇ ∇ → ∇	UNIT mm	
本図は (株) ハーモニック・ドライブ・システムの所有に係わるものです。許可なく第三者に見せたり、トレースその他の複写及び指定された用途以外には使用しないで下さい。		THIRD ANG	図番 DWG No BOC0454 -
		HARMONIC DRIVE SYSTEMS INC TOKYO JAPAN	