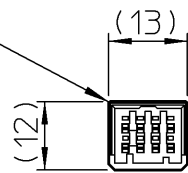
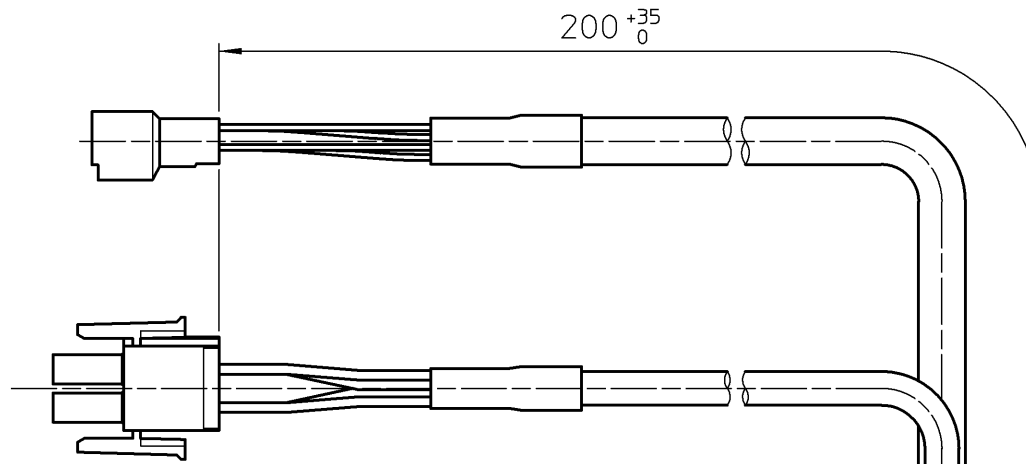
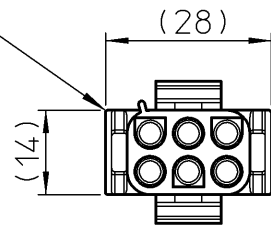


ENCODER CONNECTOR
 HOUSING :1-1903130-4
 TAB CONTACT :1903117-2
 ITE Connectivity (AMP) I



MOTOR/BRAKE CONNECTOR
 HOUSING :350715-1
 PIN CONTACT (U·V·W) :350690-1
 PIN CONTACT (PE) :350669-1
 PIN CONTACT (BRAKE) :350690-1
 ITE Connectivity (AMP) I



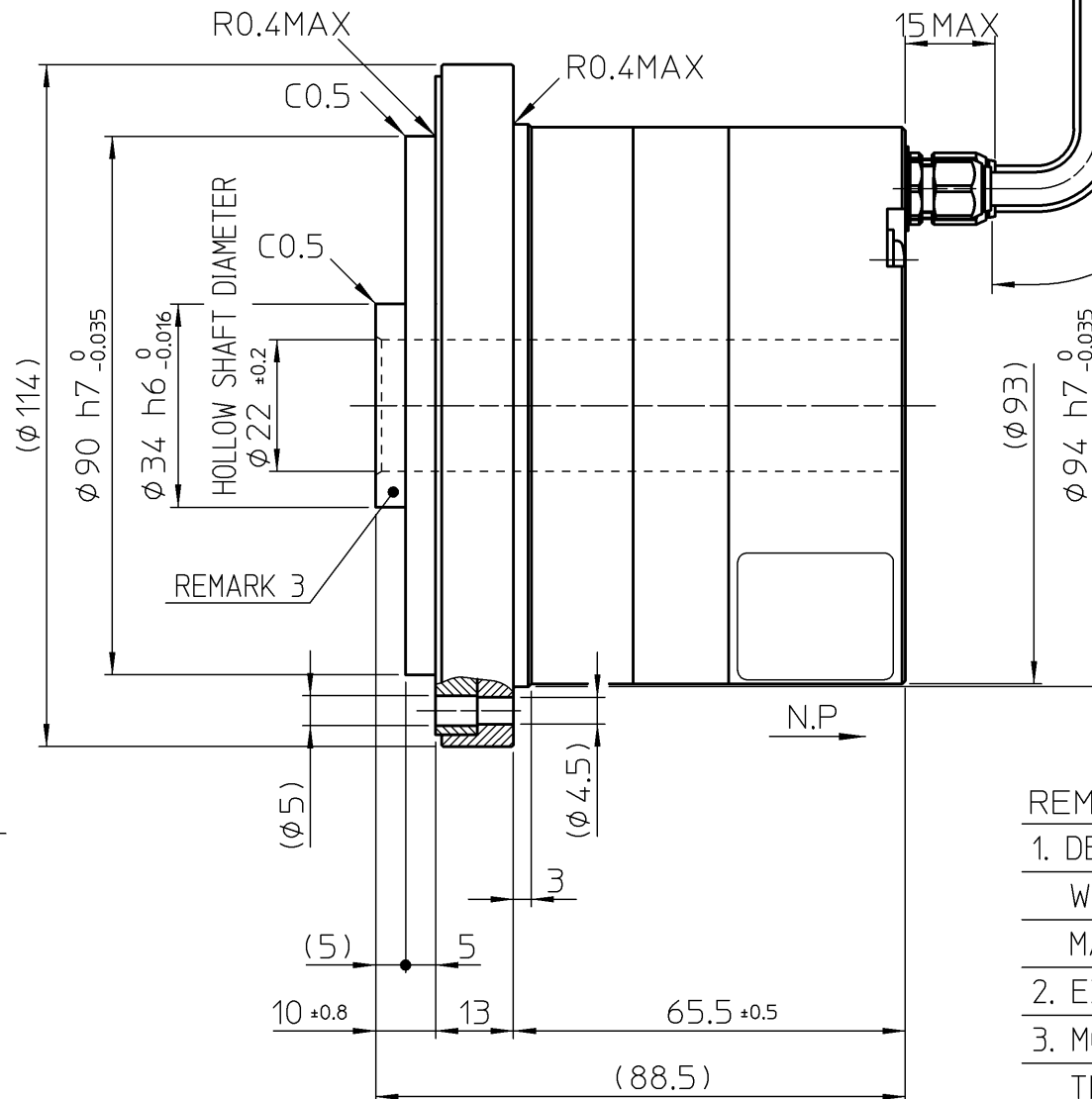
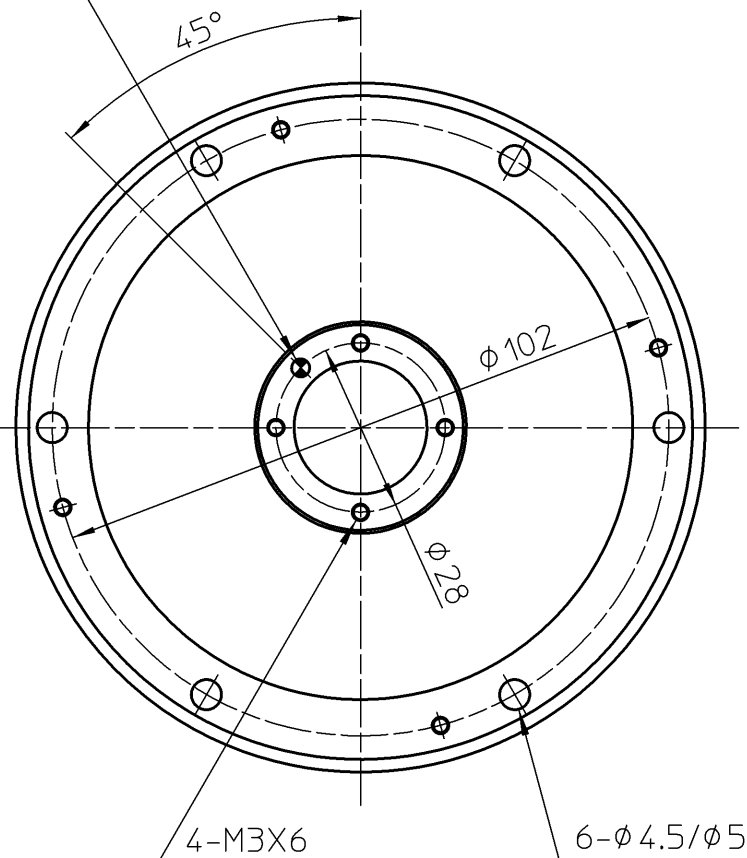
MOTOR/BRAKE CONNECTOR

PIN No.	SIGNAL
1	U
2	V
3	W
4	PE
5	BRAKE
6	BRAKE

ENCODER CONNECTOR

Pin No.	SIGNAL
1A	Vcc
2A	SD+
3A	—
4A	Vbat
1B	GND (Vcc)
2B	SD-
3B	FG
4B	GND (bat)

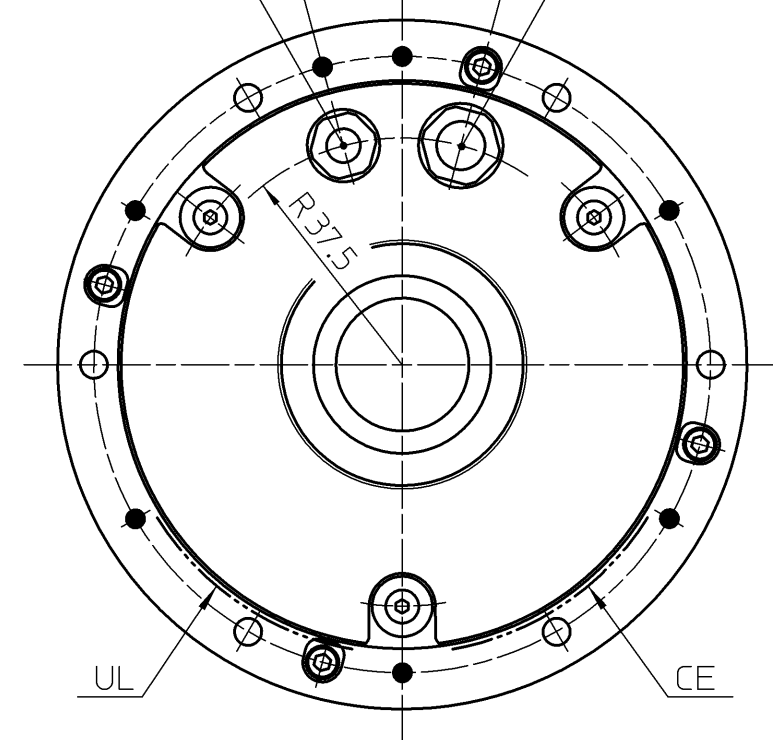
$\phi 3$ H7 $+0.010$ X5 $\phi 0.08$



MOTOR/BRAKE CABLE
 (CABLE DIAMETER $\phi 5.6$)

15° 15°

ENCODER CABLE
 (CABLE DIAMETER $\phi 7.7$)



PROPRIETORSHIP
 This drawing (document) is the **PROPERTY** of Harmonic Drive Systems, Inc. and shall not be traced, otherwise copied or used for purposes other than agreed upon, nor communicated to any third party without written permission of Harmonic Drive Systems, Inc.

REMARKS

- DESIGNING AND/OR HANDLING OF MOTORS HAS TO COMPLY WITH TECHNICAL INFORMATION SHOWN IN HMA SERIES MANUAL.
- EXTENSION CABLES : IEWD-MB SERIES | IEWD-S SERIES |
- MOTOR-SHAFT MATERIAL : SUS420J2
THE MOTOR-SHAFT DOES NOT BE RUST PREVENTION.
- REGISTERED TRADEMARK IN JAPAN.

訂正 REV	来歴 DESCRIPTION	設計 DESIGN	T.ICHIKAWA	Mar-23-18	タイトル TITLE	CONFIRMATION DRAWING
仕様 SPEC		検図 VRFD	K.FURUTA	Mar-23-18	製品名 ARTICLE	HMAB09B200-10S17bA-C
機械加工無記号公差 GENERAL TOLERANCE	備考 REMARKS : 特記無き角はC0.2以下、すみの丸みはR0.4以下 無記号表面アブラサ	承認 APPD	T.Hirabayashi	Mar-23-18	図番 DWG No	BOC0450 -
0 0.5 0.5	0.5 6 6	6 30 120 315 1000 2000	50S 25S 6.3S	50S 25S 6.3S		
±0.05	±0.1	±0.2	±0.3	±0.5	±0.8	±1.2
本図は (株)ハーモニック・ドライブ・システムの所有に係わるものです。許可なく第三者に見せたり、トレースその他の複写及び指定された用途以外には使用しないで下さい。		尺度 SCALE	1:1.25	DWG SIZE	UNIT	THIRD ANG
				A3	mm	
		HARMONIC DRIVE SYSTEMS		INC TOKYO JAPAN		