

ENCODER CONNECTOR
HOUSING :1-1903130-4
TAB CONTACT :1903117-2
ITE Connectivity (AMP) I

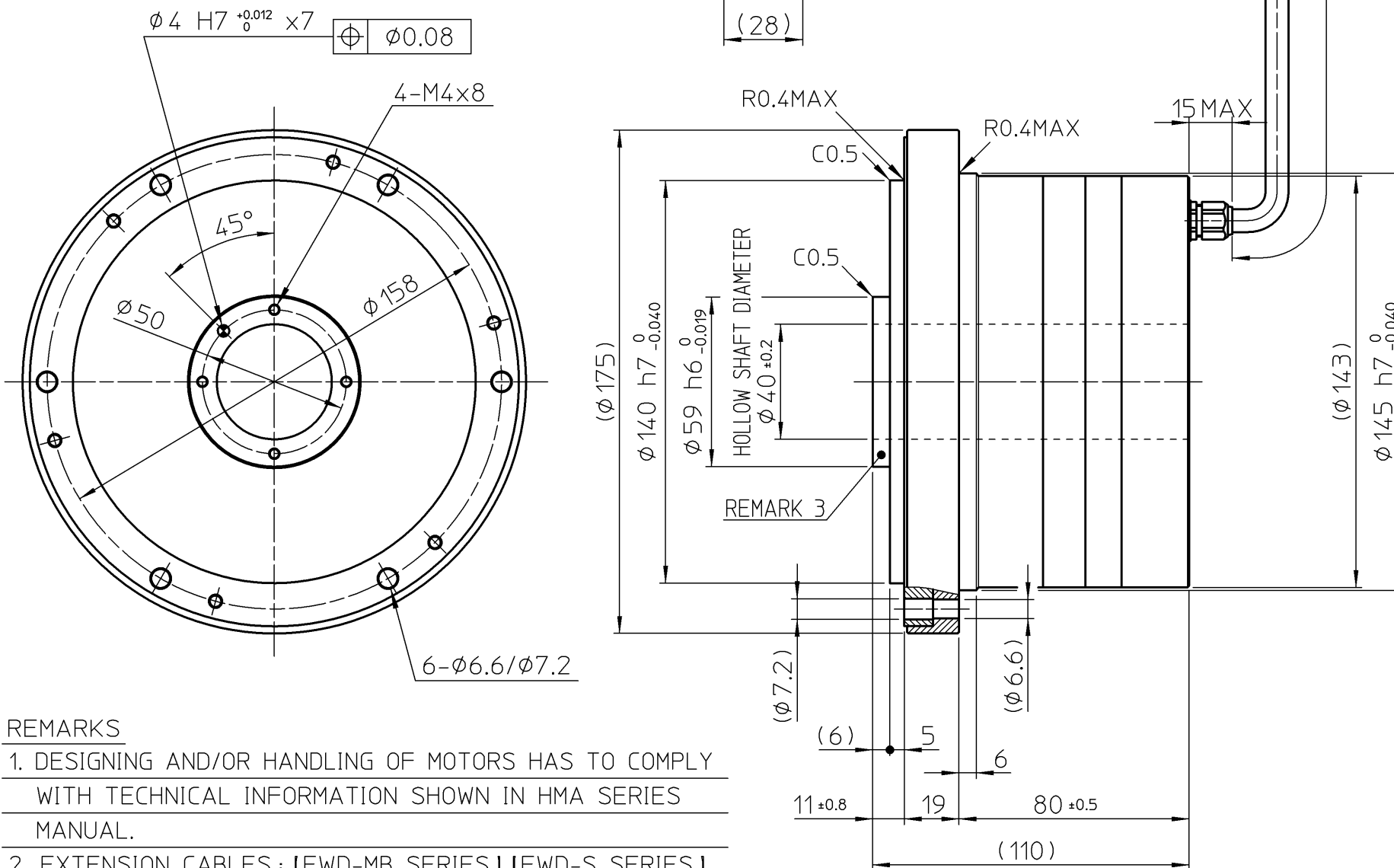
MOTOR CONNECTOR
HOUSING :350715-1
PIN CONTACT (U·V·W) :350547-1
PIN CONTACT (PE) :350669-1
ITE Connectivity (AMP) I

MOTOR CONNECTOR

| Pin No. | SIGNAL |
|---------|--------|
| 1 | U |
| 2 | V |
| 3 | W |
| 4 | PE |
| 5 | — |
| 6 | — |

ENCODER CONNECTOR

| Pin No. | SIGNAL |
|---------|-----------|
| 1A | Vcc |
| 2A | SD+ |
| 3A | — |
| 4A | Vbat |
| 1B | GND (Vcc) |
| 2B | SD- |
| 3B | FG |
| 4B | GND (bat) |

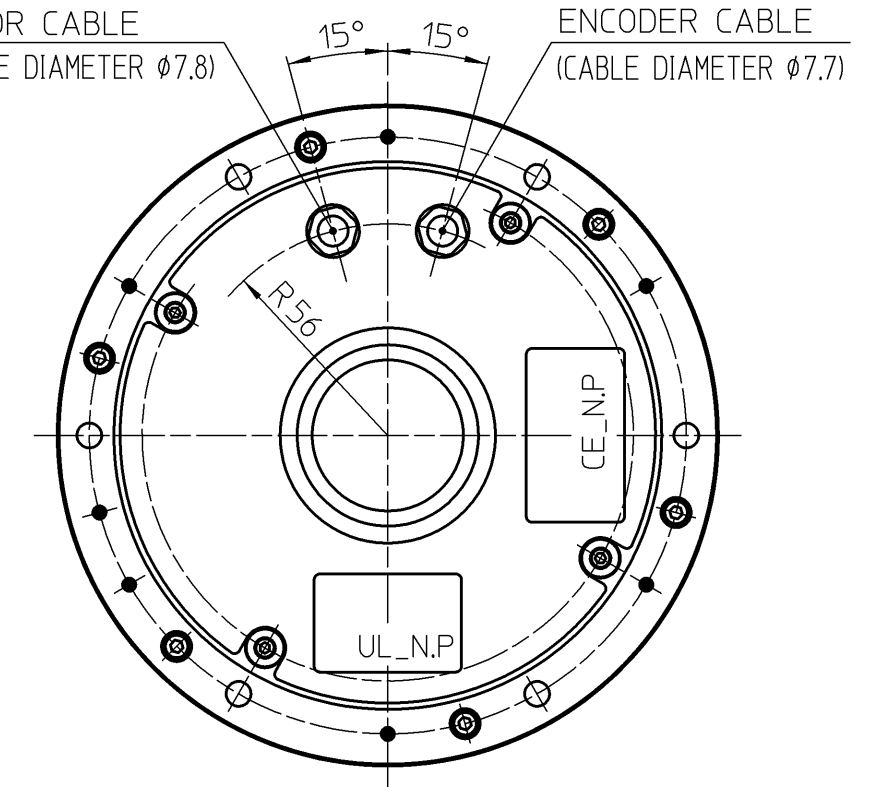


REMARKS

- DESIGNING AND/OR HANDLING OF MOTORS HAS TO COMPLY WITH TECHNICAL INFORMATION SHOWN IN HMA SERIES MANUAL.
- EXTENSION CABLES : IEWD-MB SERIES | IEWD-S SERIES |
- MOTOR-SHAFT MATERIAL : SUS420J2
THE MOTOR-SHAFT DOES NOT BE RUST PREVENTION.
- REGISTERED TRADEMARK IN JAPAN.

MOTOR CABLE
(CABLE DIAMETER $\phi 7.8$)

ENCODER CABLE
(CABLE DIAMETER $\phi 7.7$)



PROPRIETORSHIP
This drawing (document) is the **PROPERTY** of Harmonic Drive Systems, Inc. and shall not be traced, otherwise copied or used for purposes other than agreed upon, nor communicated to any third party without written permission of Harmonic Drive Systems, Inc.

| 訂正 REV | 来歴 DESCRIPTION | 設計 DESIGN | 検図 VRFD | 承認 APPD | タイトル TITLE |
|---|--|--------------|------------|----------------|----------------------|
| | | T. ICHIKAWA | K. FURUTA | T. Hirabayashi | CONFIRMATION DRAWING |
| | | Mar-20-18 | Mar-20-18 | Mar-20-18 | 製品名 ARTICLE |
| | | | | | HMAB15A200-10S17bA-C |
| 仕様 SPEC | | 尺度 SCALE | 1:2 | | |
| 機械加工 公差 | 0 0.5 6 30 120 315 1000 | DWG SIZE | UNIT | THIRD ANG | |
| GENERAL TOLERANCE | 0.5 6 30 120 315 1000 2000 | A3 | mm | ☉ | |
| 備考 REMARKS | 特記無き角はC0.2以下、すみの丸みはR0.4以下 | | | | |
| 無記号表面 SURFACES MARKED EXCEPT AS NOTED | 50S 25S 6.3S | | | | |
| 本図は (株) ハーモニック・ドライブ・システムズの所有に係わるものです。許可なく第三者に見せたり、トレースその他の複写及び指定された用途以外には使用しないで下さい。 | HARMONIC DRIVE SYSTEMS INC TOKYO JAPAN | | | | |
| | | | | 図番 DWG No | BOC0464 - |