

PCR Precision Compact Reducers

- Compact in-line speed reducers
- 50 to 200 times the torque from servomotors or steppers
- Provides a simple method for creating differentials
- Low to zero backlash
- Accuracies to arc minutes

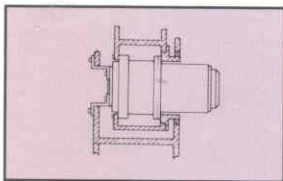
PCR precision speed reducers provide high accuracy in minimum space. Unaffected by stepping impact, PCR reducers provide 50 to 200 times the torque of servomotors or steppers.

The heart of the PCR is advanced Harmonic Drive gearing, the industry's most adaptable and precise gearing systems for more than 30 years.

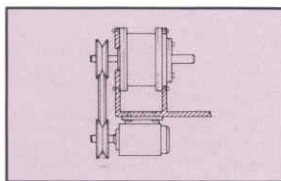
PSR Miniature Precision Reducers

- Conventionally configured speed reducers
- For small servo applications
- High ratios
- Low to zero backlash
- Accuracies to arc minutes

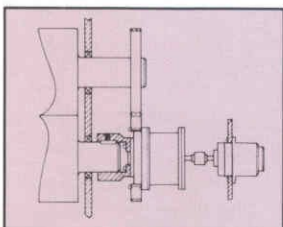
Now you can get the torque you need to do big jobs even from small stepper and servo motors. Harmonic Drive Precision Servo Reducers are miniature in-line drive speed reducers designed for applications requiring high ratios in small spaces. Small but strong, PSR reducers are unaffected by stepping impact.



A.

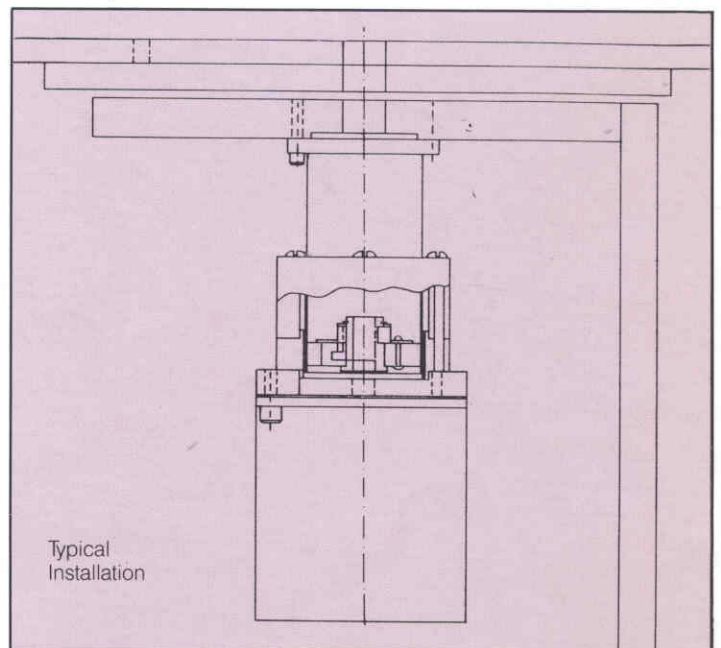


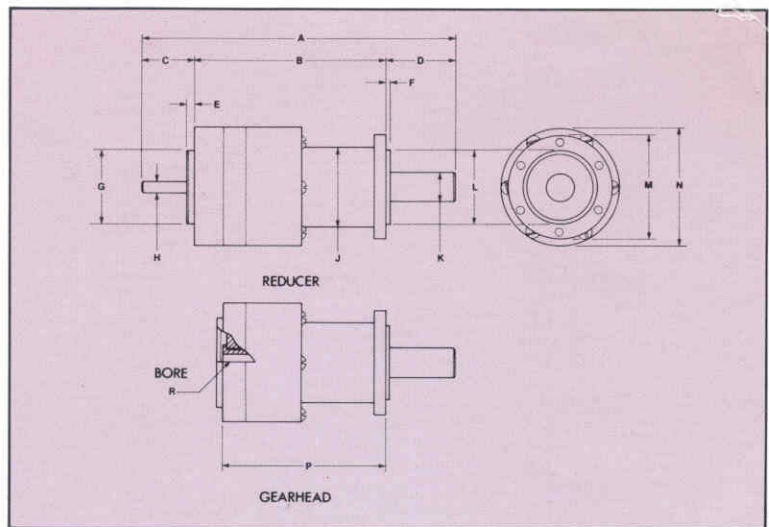
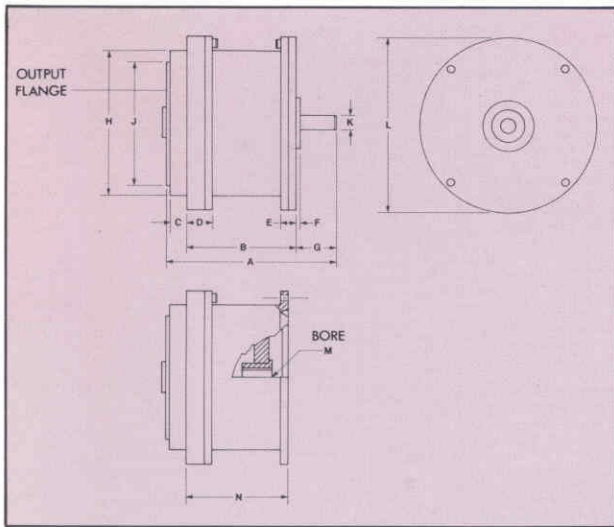
B.



C.

- Reducer hub output can be directly mounted to output structure for maximum space efficiency and stiffness.
- Input and/or output can be attached to a shaft, belt, gear, or pulley for application versatility.
- Reducer housing can be a rotating element, providing a simple method for creating differentials.





Dimensions

PCR	A	B	C	D	E	F	G	H	J	K	L	M	N	P	R
PCR 3C	4.3	2.4	.25	.7	.4	.25	1.5	3.2	2.7	.37	4.0	.37	2.2	—	—
PCR 5C	4.6	2.8	.44	.8	.44	.2	1.3	3.8	3.1	.5	4.7	.5	2.5	—	—
PCR 1M	5.9	3.7	.6	.9	.5	.2	1.9	5.0	4.3	.5	6.0	.5	3.5	—	—

PSR

PSR 10	4.2	2.7	.6	.9	.06	.06	1.0	.18	1.0	.37	1.0	1.5	1.5	2.2	.18
PSR 1C	5.3	3.2	.9	1.2	.13	.06	1.3	.18	1.3	.5	1.3	1.8	2.0	2.7	.25

For reference only. Detailed prints furnished upon request.

Nominal Rating @ 1750 rpm Input

PCR	Output Torque		Lubrication	Average Life
	lb-in	nm		
PCR 3C	375	42.4	Oil or Grease	15,000 Hrs
PCR 5C	620	70.1	Oil or Grease	15,000 Hrs
PCR 1M	1245	140.7	Oil or Grease	15,000 Hrs

PSR

PSR 10	40	4.5	Grease	15,000 Hrs
PSR 1C	102	11.5	Grease	15,000 Hrs

For complete performance ratings, see the HDC Cup Component Ratings Table on Pages 4 and 5 of the "Cup and Pancake Component Gear Sets" brochure.

Harmonic Drive
 A Division of Quincy Technologies, Inc.
 51 Armory Street, Wakefield, MA 01880 USA
 TEL: (617) 245-7802
 FAX: (617) 246-4944 TELEX: 94-9442

