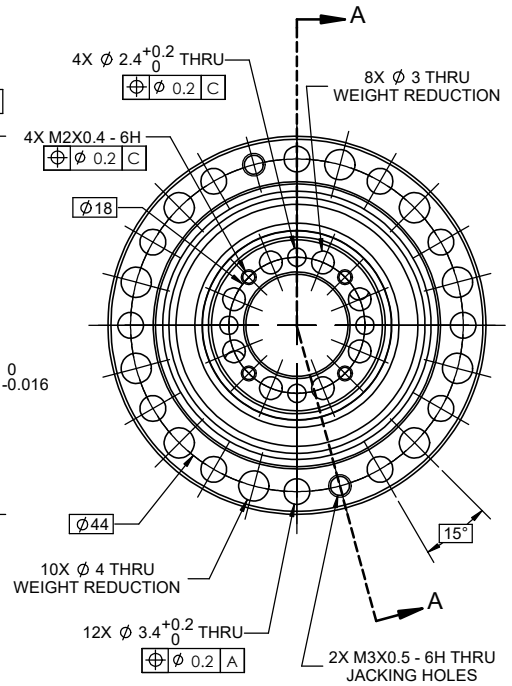
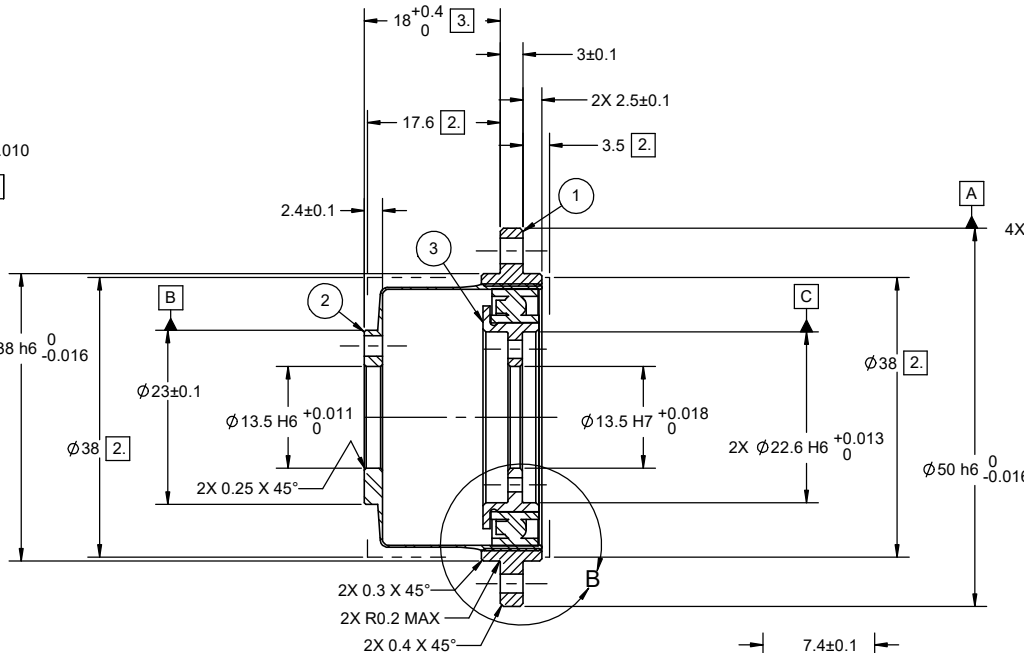
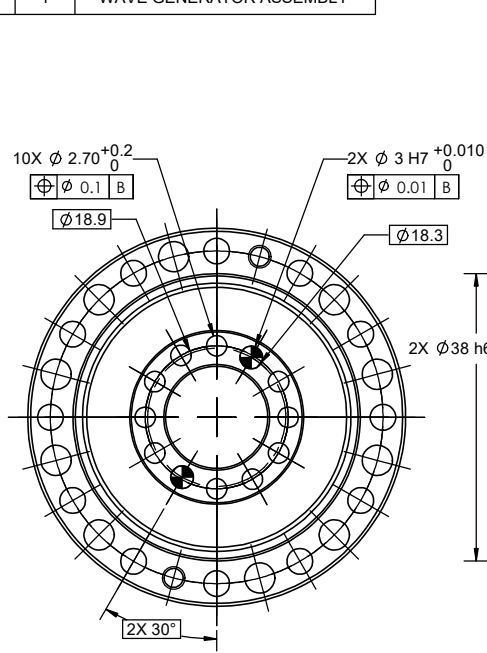
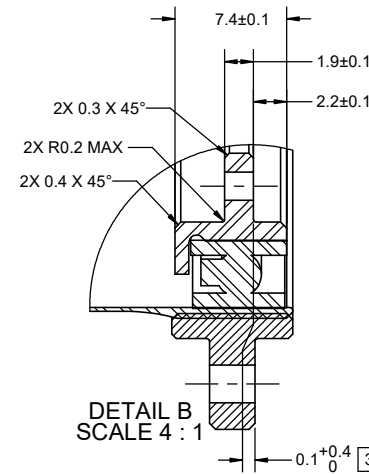


Item	Qty	PART
1	1	CIRCULAR SPLINE
2	1	FLEXSPLINE
3	1	WAVE GENERATOR ASSEMBLY

REVISIONS					
REV	DCF NO.	BY	CHKD	APPD	DATE
A	20-0167	RWC	RELEASED		04/24/2020
B	20-1031	RGB	AMM	AMM	12/10/2020
C	21-0252	KBouchard	NL	AMM	5/5/2021



SECTION A-A



DETAIL B  
SCALE 4 : 1

NOTES:

- DESIGN AND/OR HANDLING OF HARMONIC DRIVE PRODUCTS MUST BE IN COMPLIANCE WITH TECHNICAL INFORMATION FOUND IN HARMONIC DRIVE CATALOGS AT: [WWW.HARMONICDRIVE.NET/DOWNLOADS/CATALOGS](http://WWW.HARMONICDRIVE.NET/DOWNLOADS/CATALOGS)
- MINIMUM HOUSING CLEARANCE.
- DIMENSIONS ESTABLISH INTERFACE AND INSTALLATION REQUIREMENTS. MAINTAIN AT ASSEMBLY AND UNDER ALL OPERATING LOAD CONDITIONS.
- ALL CIRCULAR HOLE PATTERNS ARE EQUALLY SPACED, UNLESS OTHERWISE SPECIFIED.
- MAINTAIN COMPONENTS IN "AS RECEIVED" SERIALIZED SETS.
- CONFIGURATION IS FOR GREASE LUBRICATION ONLY. CONTACT HDLLC IF OIL LUBRICATION IS DESIRED
- TO ORDER USE PART NUMBER 27-014XXXLW.

**PROPRIETARY AND CONFIDENTIAL**  
THIS DRAWING CONTAINS VALUABLE CONFIDENTIAL AND PROPRIETARY TRADE SECRET INFORMATION OF HARMONIC DRIVE LLC. COPYING, DISCLOSING OR USING THIS INFORMATION WITHOUT THE EXPRESS WRITTEN AUTHORIZATION OF HARMONIC DRIVE LLC IS PROHIBITED.

THIS DOCUMENT WAS CREATED IN ACCORDANCE WITH ASME Y14.5-2018.

DIMENSIONS ARE IN MM UNLESS OTHERWISE SPECIFIED.

DRAFTER RWC 01/19/2018	CHECKER RBerry 03/13/2020
MAT'L ENG. THB 03/16/2020	DESIGN ENG. RWC 03/13/2020
MFG. ENG. PDR 03/27/2020	QUALITY NS 04/08/2020
SIMILAR TO	



**Harmonic Drive®**  
42 DUNHAM RIDGE  
BEVERLY MA 01915-1844  
[www.harmonicdrive.net](http://www.harmonicdrive.net)

TITLE:  
**INSTALLATION DRAWING  
CSF-14-XXX-2A-R-LW**

SIZE <b>C</b>	CAGE CODE <b>34519</b>	DWG. NO. <b>1010972</b>	REV <b>C</b>
SCALE: 2:1			SHEET 1 OF 1