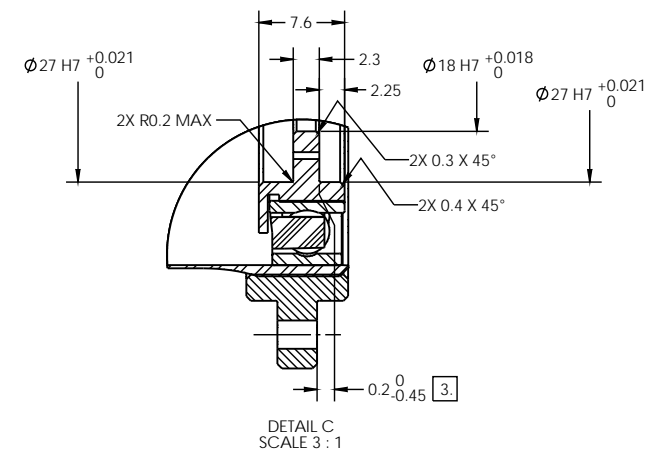
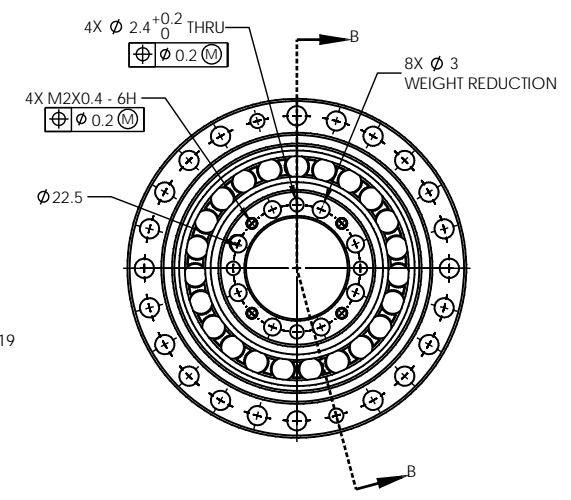
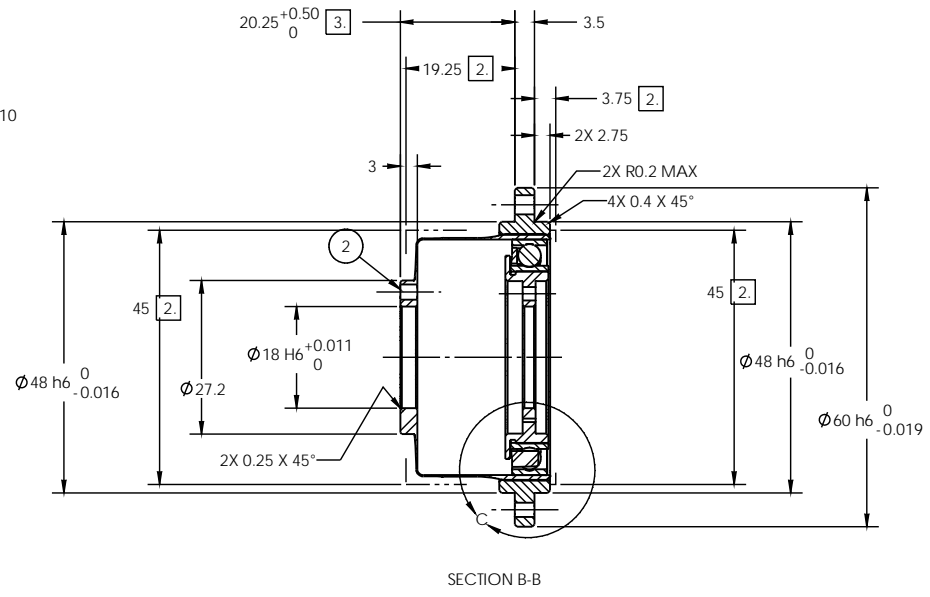
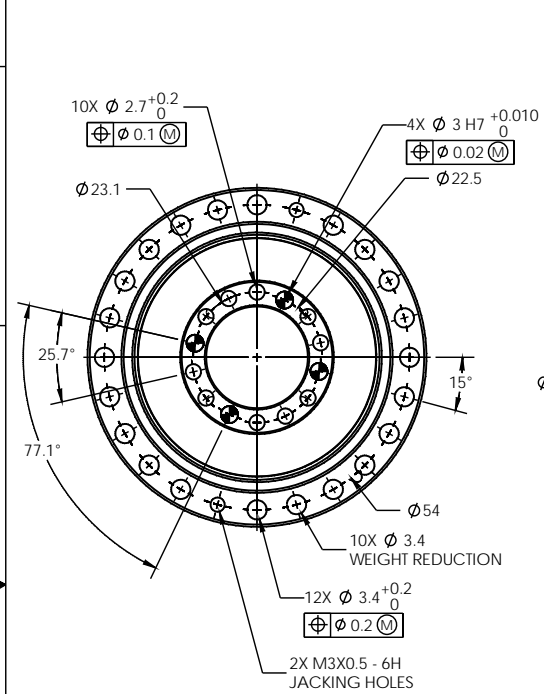



Item	Qty	PART
1	1	WAVE GENERATOR ASSEMBLY
2	1	FLEXSPLINE
3	1	CIRCULAR SPLINE

REVISIONS					
REV	ECA NO.	BY	CHKD	APPD	DATE
A	ER 17-249	RWC	RELEASED		06/22/2017
B	18-090	RWC	KAB		05/17/2018



NOTES:

- DESIGN AND/OR HANDLING MUST BE IN COMPLIANCE WITH TECHNICAL INFORMATION FOUND IN HD CATALOG.
- MINIMUM HOUSING CLEARANCE
- DIMENSIONS ESTABLISH INTERFACE AND INSTALLATION REQUIREMENTS. MAINTAIN AT ASSEMBLY AND UNDER ALL OPERATING LOAD CONDITIONS.
- DIMENSIONS ARE IN MILLIMETERS.
- MAINTAIN COMPONENTS IN "AS RECEIVED" SETS.
- DESIGN IS FOR GREASE LUBRICATED UNITS ONLY. INQUIRE WITH HD LLC ENGINEERING IF OIL LUBRICATION IS REQUIRED.

PROPRIETARY AND CONFIDENTIAL THIS DRAWING CONTAINS VALUABLE CONFIDENTIAL AND PROPRIETARY TRADE SECRET INFORMATION OF HARMONIC DRIVE LLC. COPYING, DISCLOSING, OR USING THIS INFORMATION WITHOUT THE EXPRESS WRITTEN AUTHORIZATION OF HARMONIC DRIVE LLC IS PROHIBITED.	ISSUE DATE		 <b>HARMONIC DRIVE LLC</b> 247 LYNNFIELD STREET PEABODY MASS 01960-4905 <a href="http://www.harmonicdrive.net">www.harmonicdrive.net</a>		
	CONTRACT NO.				
	DRAFTSMAN	CHECKER	TITLE: <b>INSTALLATION DRAWING</b> <b>CSF-17-XXX-2A-R-LW</b>		
	RWC 05/26/2017	MAG 06/05/2017			
	MATL ENG	DESIGN ENG			
THB 06/21/2017	AAF 06/05/2017	SIZE	FSCM	DWG. NO.	REV
MFG. ENG.	QUALITY	<b>C</b>	<b>34519</b>	1010973	<b>B</b>
CDM 06/21/2017		SCALE: 3:2	WEIGHT:		SHEET 1 OF 1
MATERIAL:	SUBMITTED				
	SIMILAR TO				