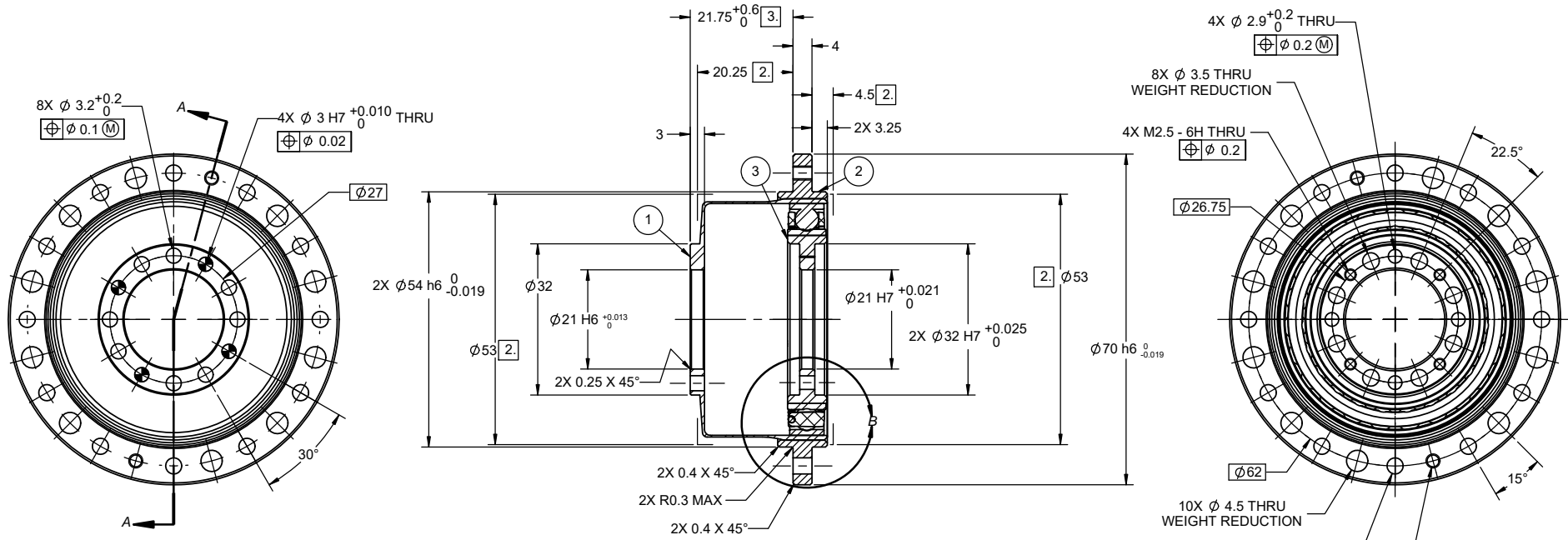
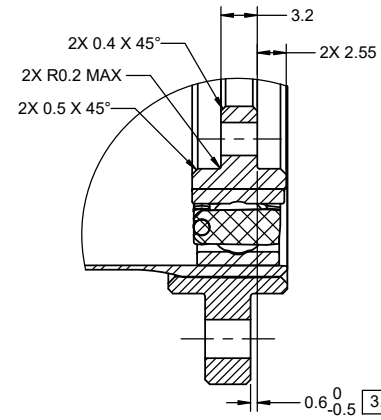


Item	Qty	PART
1	1	FLEXSPLINE
2	1	CIRCULAR SPLINE
3	1	WAVE GENERATOR ASSEMBLY

REVISIONS					
REV	ECA NO.	BY	CHKD	APPD	DATE
A	19-0576	RWC	RELEASED		07/22/2019



SECTION A-A



DETAIL B
SCALE 3 : 1

NOTES:

- DESIGN AND/OR HANDLING MUST BE IN COMPLIANCE WITH TECHNICAL INFORMATION FOUND IN HD CATALOG.
- MINIMUM HOUSING CLEARANCE
- DIMENSIONS ESTABLISH INTERFACE AND INSTALLATION REQUIREMENTS. MAINTAIN AT ASSEMBLY AND UNDER ALL OPERATING LOAD CONDITIONS.
- THE CUSTOMER MATING PARTS MUST COMPENSATE FOR THE REDUCED RADIAL STIFFNESS OF THE WEIGHT REDUCED CIRCULAR SPLINE. IT IS RECOMMENDED TO PILOT THESE ITEMS ON THE $\varnothing 54$ h6 REGISTER DIAMETERS.
- DIMENSIONS ARE IN MILLIMETERS.
- MAINTAIN COMPONENTS IN "AS RECEIVED" SETS.
- DESIGN IS FOR GREASE LUBRICATED UNITS ONLY.
- APPROXIMATE MASS FROM MODEL 138 g.

PROPRIETARY AND CONFIDENTIAL
THIS DRAWING CONTAINS VALUABLE CONFIDENTIAL AND PROPRIETARY TRADE SECRET INFORMATION OF HARMONIC DRIVE LLC. COPYING, DISCLOSING, OR USING THIS INFORMATION WITHOUT THE EXPRESS WRITTEN AUTHORIZATION OF HARMONIC DRIVE LLC IS PROHIBITED

ISSUE DATE	
CONTRACT NO.	
DRAFTSMAN RWC_07/17/2019	CHECKER KAB_07/18/2019
MATL ENG THB_07/19/2019	DESIGN ENG RWC_07/18/2019
MFG. ENG. DR_07/19/2019	QUALITY
SUBMITTED	
SIMILAR TO	

MATERIAL:



HARMONIC DRIVE LLC
247 LYNNFIELD STREET
PEABODY MASS 01960-4905
www.harmonicdrive.net

TITLE:
INSTALLATION DRAWING
CSF-20-XXX-2A-GR-LW

SIZE C	FSCM 34519	DWG. NO. 1010974	REV A
SCALE: 3:2		WEIGHT:	