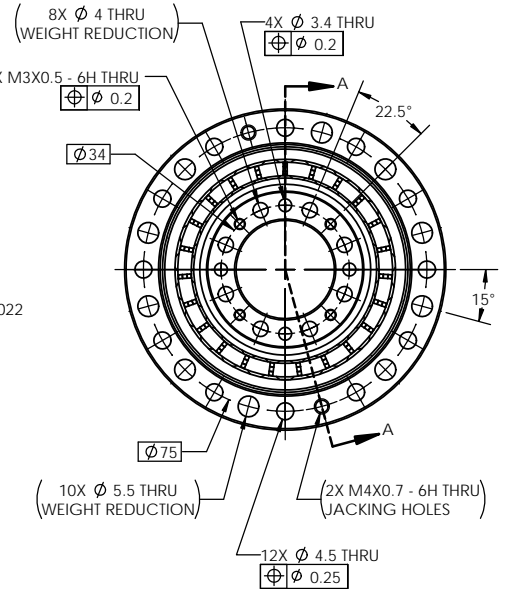
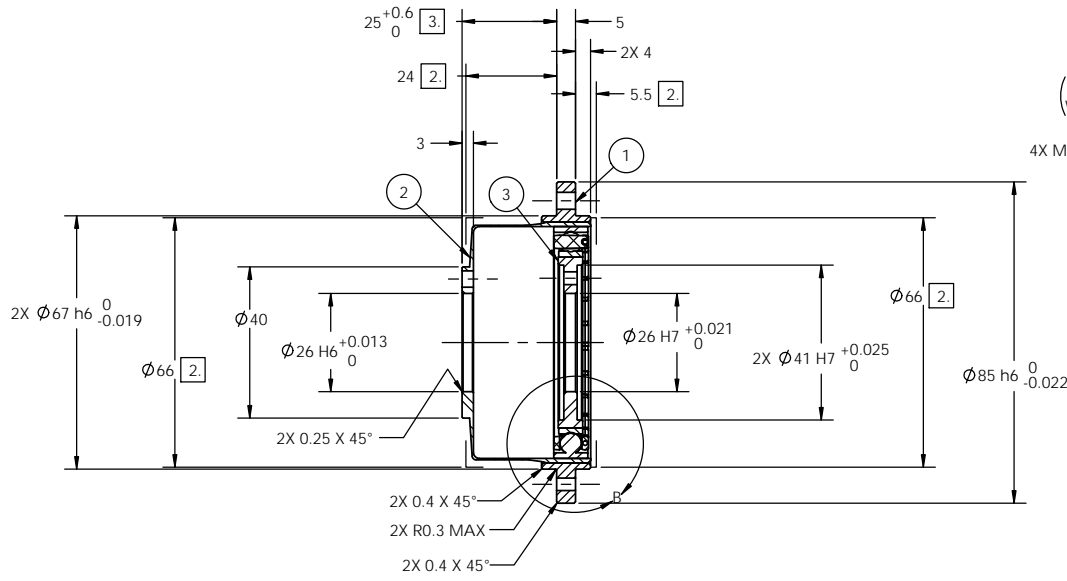
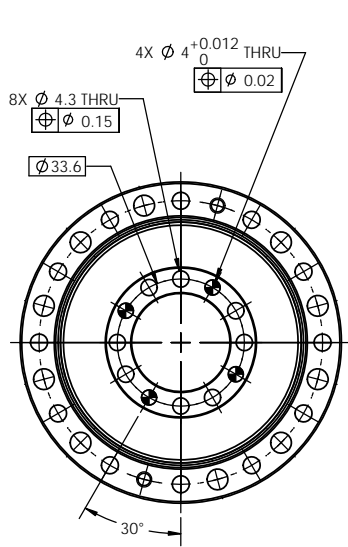
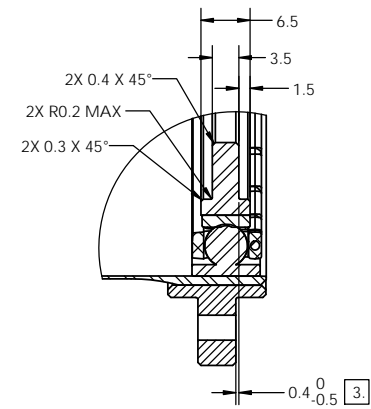


| Item | Qty | PART                    |
|------|-----|-------------------------|
| 1    | 1   | CIRCULAR SPLINE         |
| 2    | 1   | FLEXSPLINE              |
| 3    | 1   | WAVE GENERATOR ASSEMBLY |

| REVISIONS |           |     |          |      |            |
|-----------|-----------|-----|----------|------|------------|
| REV       | ECA NO.   | BY  | CHKD     | APPD | DATE       |
| A         | ER 18-011 | RWC | RELEASED |      | 01/24/2018 |
| B         | 18-298    | RWC | KAB      |      | 06/02/2018 |




SECTION A-A



DETAIL B  
SCALE 2 : 1

- NOTES:
- DESIGN AND/OR HANDLING MUST BE IN COMPLIANCE WITH TECHNICAL INFORMATION FOUND IN HD CATALOG.
  - MINIMUM HOUSING CLEARANCE
  - DIMENSIONS ESTABLISH INTERFACE AND INSTALLATION REQUIREMENTS. MAINTAIN AT ASSEMBLY AND UNDER ALL OPERATING LOAD CONDITIONS.
  - DIMENSIONS ARE IN MILLIMETERS.
  - MAINTAIN COMPONENTS IN "AS RECEIVED" SETS.
  - CONFIGURATION IS FOR GREASE LUBRICATION ONLY.

|   |                      |   |                 |  |  |
|---|----------------------|---|-----------------|--|--|
| PROPRIETARY AND CONFIDENTIAL<br>THIS DRAWING CONTAINS VALUABLE CONFIDENTIAL AND PROPRIETARY TRADE SECRET INFORMATION OF HARMONIC DRIVE LLC. COPYING, DISCLOSING, OR USING THIS INFORMATION WITHOUT THE EXPRESS WRITTEN AUTHORIZATION OF HARMONIC DRIVE LLC IS PROHIBITED. |                      | ISSUE DATE<br>CONTRACT NO.<br>DRAFTSMAN<br>RWC 01/09/2018<br>CHECKER<br>KAB 01/11/2018<br>MATL ENG<br>THB 01/23/2018<br>DESIGN ENG<br>RWC 01/11/2018<br>MFG. ENG.<br>CDM 01/23/2018<br>QUALITY<br>MPC 01/24/2018<br>SUBMITTED |                 |  <b>HARMONIC DRIVE LLC</b><br>247 LYNNFIELD STREET<br>PEABODY MASS 01960-4905<br><a href="http://www.harmonicdrive.net">www.harmonicdrive.net</a> |  |
| MATERIAL:   |                      | SIMILAR TO  |                 | TITLE:<br><b>INSTALLATION DRAWING</b><br><b>CSF-25-XXX-2A-GR-LW</b>  |  |
| SIZE<br><b>C</b>  | FSCM<br><b>34519</b> | DWG. NO.<br><b>1010975</b>  | REV<br><b>B</b> | SCALE: 1:1    WEIGHT:    SHEET 1 OF 1  |  |