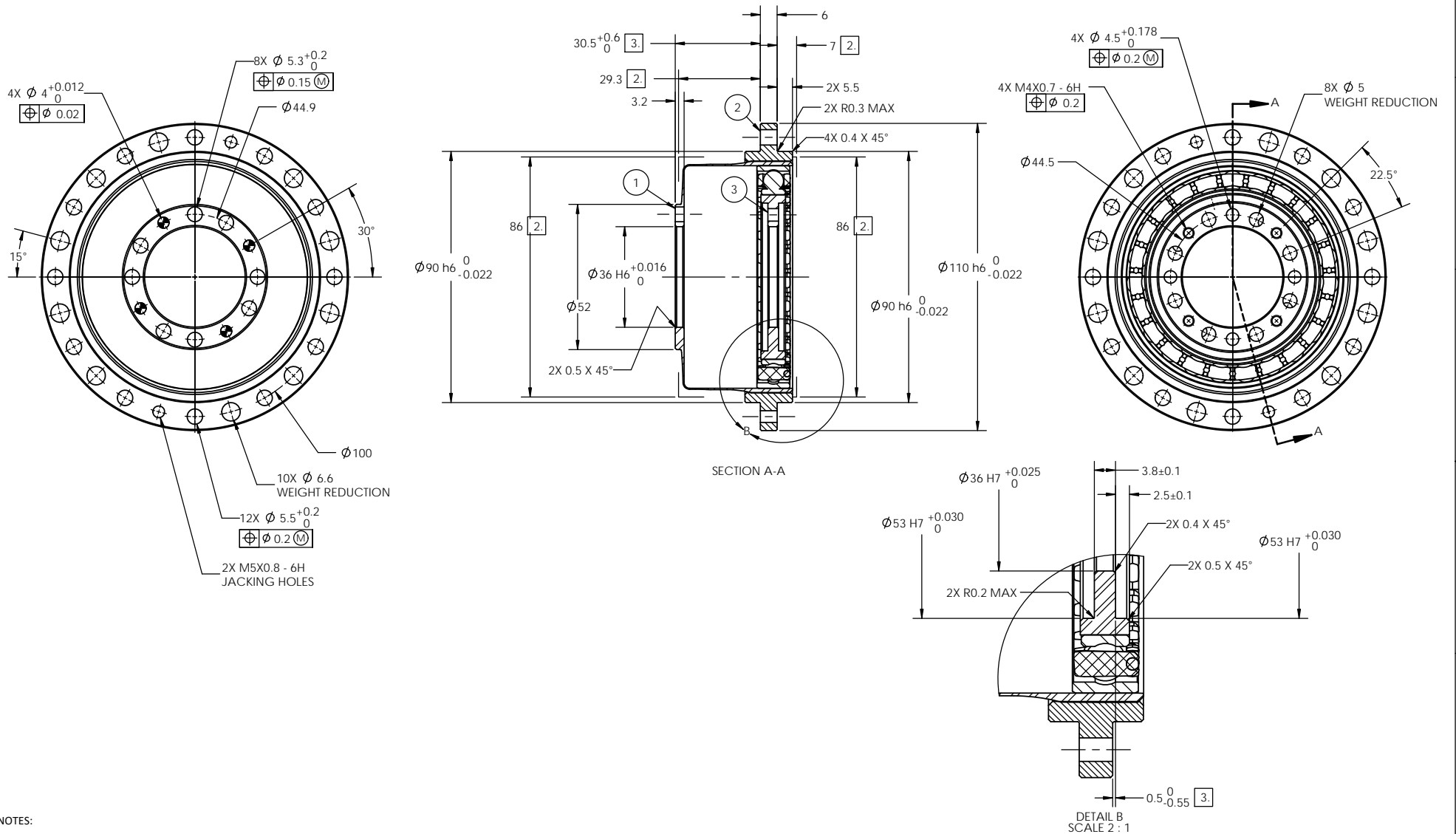



Item	QTY.	PART
1	1	FLEXSPLINE
2	1	CIRCULAR SPLINE
3	1	WAVE GENERATOR ASSEMBLY

REVISIONS					
REV	ECA NO.	BY	CHKD	APPD	DATE
A	ER 17-284	RWC	RELEASED		07/10/2017



NOTES:

- DESIGN AND/OR HANDLING MUST BE IN COMPLIANCE WITH TECHNICAL INFORMATION FOUND IN HD CATALOG.
- MINIMUM HOUSING CLEARANCE
- DIMENSIONS ESTABLISH INTERFACE AND INSTALLATION REQUIREMENTS. MAINTAIN AT ASSEMBLY AND UNDER ALL OPERATING LOAD CONDITIONS.
- DIMENSIONS ARE IN MILLIMETERS.
- MAINTAIN COMPONENTS IN "AS RECEIVED" SETS.
- DESIGN IS FOR GREASE LUBRICATED UNITS ONLY. INQUIRE WITH HD LLC ENGINEERING IF OIL LUBRICATION IS REQUIRED.

PROPRIETARY AND CONFIDENTIAL THIS DRAWING CONTAINS VALUABLE CONFIDENTIAL AND PROPRIETARY TRADE SECRET INFORMATION OF HARMONIC DRIVE LLC. COPYING, DISCLOSING, OR USING THIS INFORMATION WITHOUT THE EXPRESS WRITTEN AUTHORIZATION OF HARMONIC DRIVE LLC IS PROHIBITED.	ISSUE DATE		 <b>HARMONIC DRIVE LLC</b> 247 LYNNFIELD STREET PEABODY MASS 01960-4905 <a href="http://www.harmonicdrive.net">www.harmonicdrive.net</a>		
	CONTRACT NO.				
	DRAFTSMAN RWC_06/15/2017	CHECKER AAF_06/21/2017			
	MATL ENG THB_07/05/2017	DESIGN ENG RWC_06/22/2017			
	MFG. ENG. CDM_07/04/2017	QUALITY			
MATERIAL:	SUBMITTED	TITLE: <b>INSTALLATION DRAWING CSF-32-XXX-2A-GR-LW</b>			
SIMILAR TO		SIZE <b>C</b>	FSCM <b>34519</b>	DWG. NO. <b>1010976</b>	REV <b>A</b>
		SCALE: 1:1	WEIGHT:	SHEET 1 OF 1	