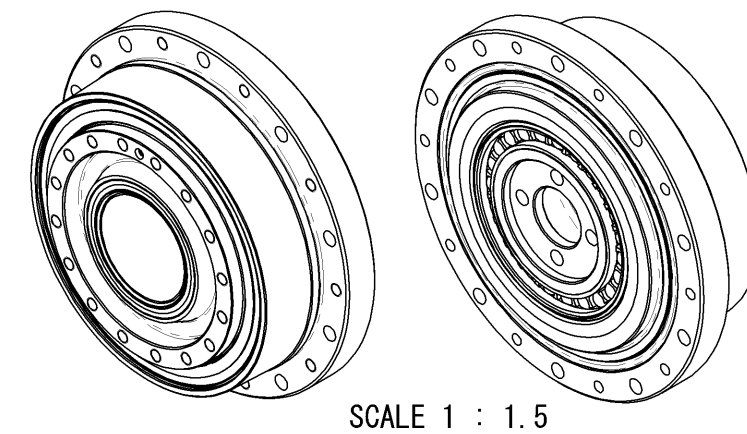
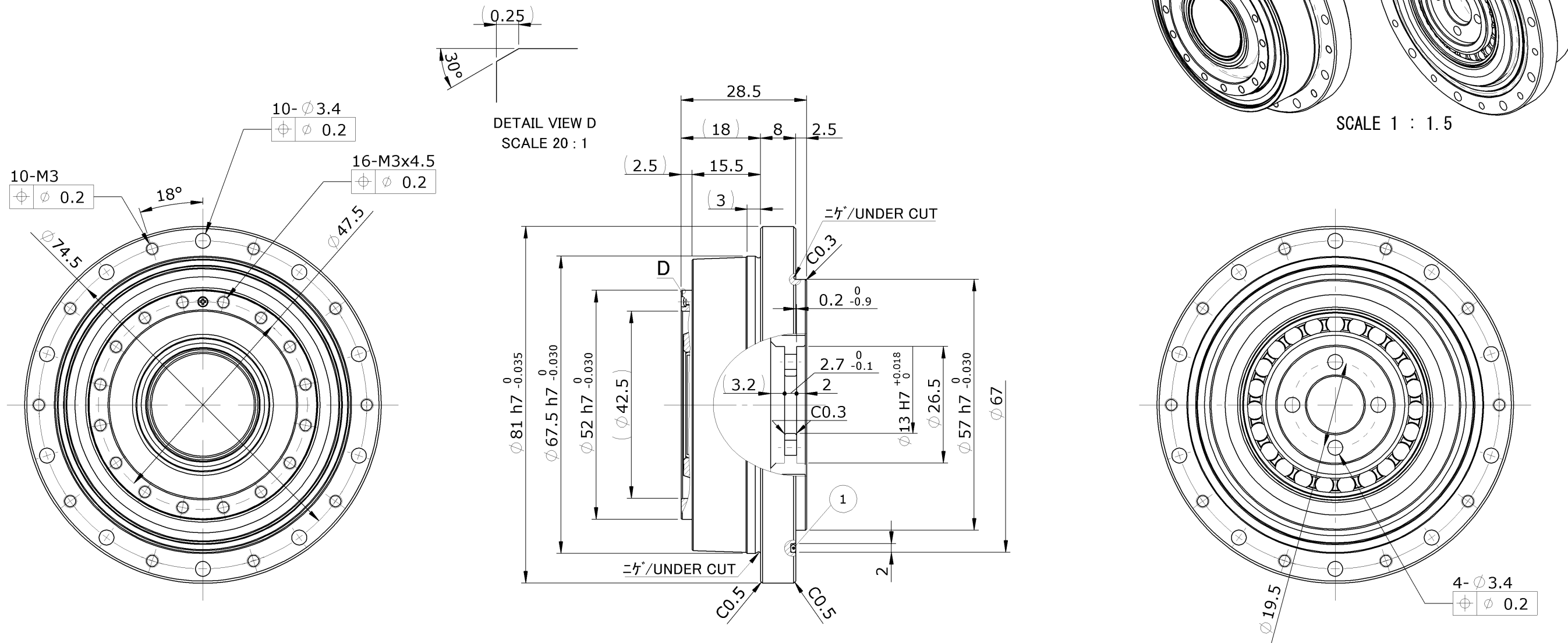


ITEM NO.	PARTS	SIZE	QTY.	NOTE
1	Oリング / O-RING	d64x1.5	1	添付品 / ENCLOSED IN THE BOX



注記 / REMARKS

1	ウェーブジェネレータ / WAVE GENERATOR	リジッドタイプ / RIGID TYPE
2	潤滑 / LUBRICATION	減速部 / HarmonicDrive® GEAR 主軸受部 / MAIN BEARING
		ハーモニックグリース® SK-2 / HarmonicGrease® SK-2 マルテンプ HL-D / Multemp HL-D
3	出力回転部外径(低速回転側) / OUTPUT DIAMETER OF ROTATIONAL PART (LOW-SPEED ROTATION SIDE)	

設計、取り扱いについてはカタログを参照してください。

DESIGNING AND/OR HANDLING OF HarmonicDrive® GEARS(HarmonicDrive® ACTUATORS) HAS TO COMPLY WITH TECHNICAL INFORMATION SHOWN IN HarmonicDrive® CATALOG.

REV	DESCRIPTION	DESIGN	DATE	TITLE
訂正	来歴	S.Nagahara	2021/05/28	納入仕様図 / CONFIRMATION DRAWING
標準	SPEC 仕様	K.FURUTA	2021/05/28	ARTICLE 製品名
		N.Tanioka	2021/05/28	CSF-17-50-2UH-ULW
GENERAL TOLERANCE	REMARKS : CHAMFER UNSPECIFIED SHARP CORNERS 0.25 / ALL UNSPECIFIED RADLL TO BE 0.5 MAX	DWG SIZE	UNIT	THIRD ANG
0 0.5 6 30 120 315 1000	備考 特記無き角はC0.2以下、すみのみはR0.1以下	A3	mm	
0.5 6 30 120 315 1000 2000	SURFACES MARKED EXCEPT AS NOTED			
±0.05 ±0.1 ±0.2 ±0.3 ±0.5 ±0.8 ±1.2	50S 25S 6.3S			
	無記号表面アラサ			
PROPRIETORSHIP This drawing (document) is the PROPERTY of Harmonic Drive Systems,Inc. and shall not be traced, otherwise copied or used for purposes other than agreed upon, nor communicated to any third party without written permission of Harmonic Drive Systems,Inc.				
Registered Trademark in Japan.				
HARMONIC DRIVE SYSTEMS			INC TOKYO JAPAN	
DWG No	C009523			
図番				