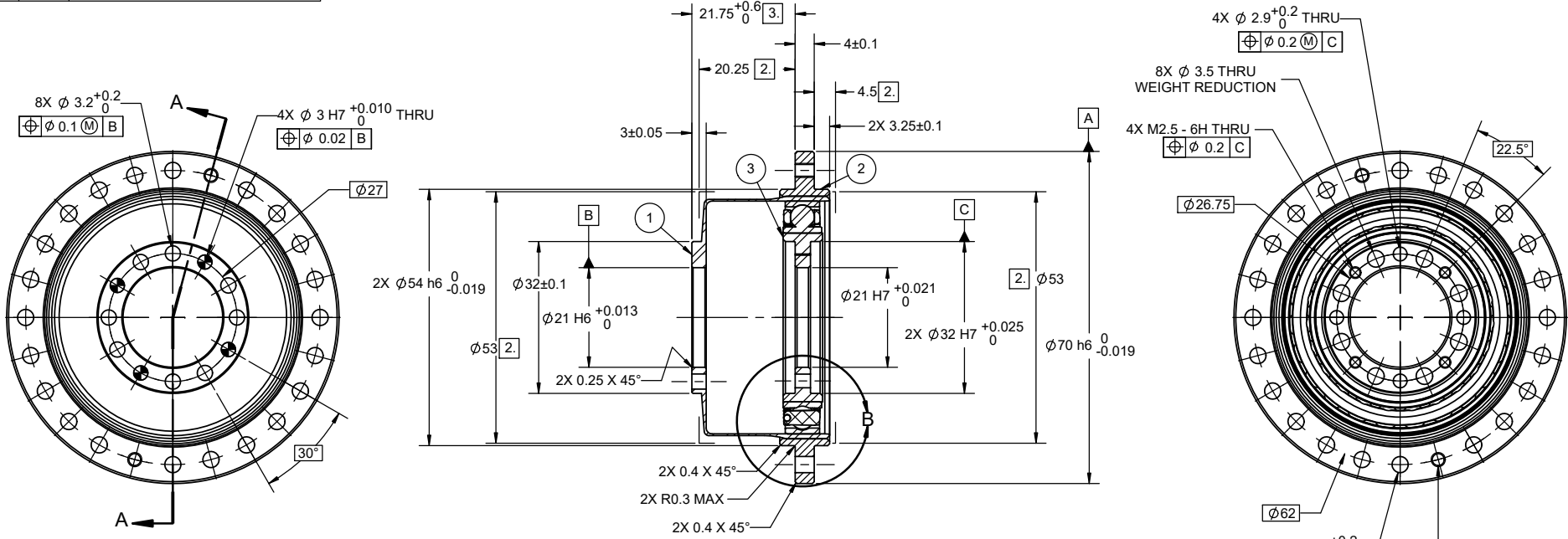
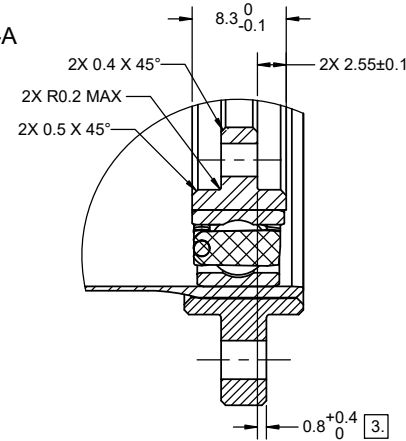


ITEM	QTY	PART
1	1	FLEXSPLINE
2	1	CIRCULAR SPLINE
3	1	WAVE GENERATOR ASSEMBLY

REVISIONS					
REV	DCF NO.	BY	CHKD	APPD	DATE
A	20-1074	KBouchard	RELEASED		1/14/2021



SECTION A-A



DETAIL B
SCALE 3 : 1

NOTES:

- DESIGN AND/OR HANDLING OF HARMONIC DRIVE PRODUCTS MUST BE IN COMPLIANCE WITH TECHNICAL INFORMATION FOUND IN HARMONIC DRIVE CATALOGS AT: WWW.HARMONICDRIVE.NET/DOWNLOADS/CATALOGS
- MINIMUM HOUSING CLEARANCE.
- DIMENSIONS ESTABLISH INTERFACE AND INSTALLATION REQUIREMENTS. MAINTAIN AT ASSEMBLY AND UNDER ALL OPERATING LOAD CONDITIONS.
- ALL CIRCULAR HOLE PATTERNS ARE EQUALLY SPACED UNLESS OTHERWISE SPECIFIED.
- THE CUSTOMER MATING PARTS MUST COMPENSATE FOR THE REDUCED RADIAL STIFFNESS OF THE WEIGHT REDUCED CIRCULAR SPLINE. IT IS RECOMMENDED TO PILOT THESE ITEMS ON THE $\phi 54 h6$ REGISTER DIAMETERS.
- MAINTAIN COMPONENTS IN "AS RECEIVED" SERIALIZED SETS.
- CONFIGURATION IS FOR GREASE LUBRICATION ONLY.
- MAXIMUM TORQUE IS LIMITED BY TRANSMISSION TORQUE OF BOLTS AND PINS:
FLEXSPLINE: 150 Nm (IF MOUNTING WITH 8X M3 BOLTS AND 4X 3mm PINS)
CIRCULAR SPLINE: 150 Nm (IF MOUNTING WITH 12X M3 BOLTS); 200 Nm (IF MOUNTING WITH 16X M3 BOLTS)
- APPROXIMATE MASS FROM MODEL 143 g.

PROPRIETARY AND CONFIDENTIAL
THIS DRAWING CONTAINS VALUABLE CONFIDENTIAL AND PROPRIETARY TRADE SECRET INFORMATION OF HARMONIC DRIVE LLC. COPYING, DISCLOSING, OR USING THIS INFORMATION WITHOUT THE EXPRESS WRITTEN AUTHORIZATION OF HARMONIC DRIVE LLC IS PROHIBITED.

THIS DOCUMENT WAS CREATED IN ACCORDANCE WITH ASME Y14.5-2018.

DIMENSIONS ARE IN MM UNLESS OTHERWISE SPECIFIED.

DRAFTER KBouchard 12/11/2020	CHECKER RBerry 12/11/2020
MATL ENG. Ibettenc 12/16/2020	DESIGN ENG. KBouchard 12/16/2020
MFG. ENG. DRyll 12/22/2020	QUALITY NStolca 12/22/2020
SIMILAR TO	

1010994



Harmonic Drive®
42 DUNHAM RIDGE
BEVERLY MA 01915-1844
www.harmonicdrive.net

TITLE:
**INSTALLATION DRAWING
CSG-20-XXX-2A-GR-BB-LW**

SIZE C	CAGE CODE 34519	DWG. NO. 1010988	REV A
SCALE: 3:2			SHEET 1 OF 1