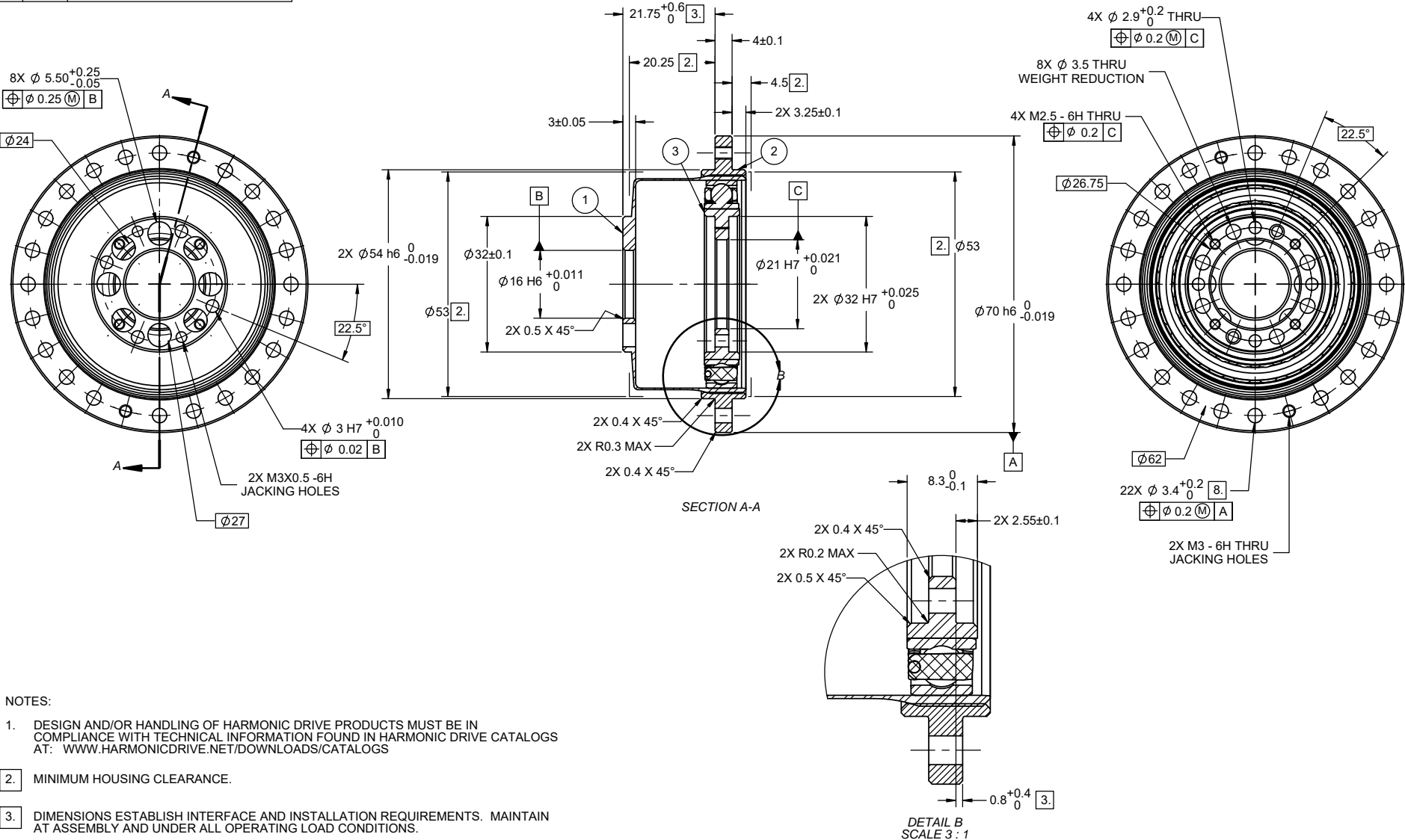


ITEM	QTY	PART
1	1	FLEXSPLINE
2	1	CIRCULAR SPLINE
3	1	WAVE GENERATOR ASSEMBLY

REVISIONS					
REV	DCF NO.	BY	CHKD	APPD	DATE
A	ER 18-189	RWC	RELEASED		05/21/2018
B	18-596	RWC	KAB		12/17/2018
C	20-1061	KBouchard	RGB	AMM	1/12/2021



NOTES:

- DESIGN AND/OR HANDLING OF HARMONIC DRIVE PRODUCTS MUST BE IN COMPLIANCE WITH TECHNICAL INFORMATION FOUND IN HARMONIC DRIVE CATALOGS AT: [WWW.HARMONICDRIVE.NET/DOWNLOADS/CATALOGS](http://WWW.HARMONICDRIVE.NET/DOWNLOADS/CATALOGS)
- MINIMUM HOUSING CLEARANCE.
- DIMENSIONS ESTABLISH INTERFACE AND INSTALLATION REQUIREMENTS. MAINTAIN AT ASSEMBLY AND UNDER ALL OPERATING LOAD CONDITIONS.
- ALL CIRCULAR HOLE PATTERNS ARE EQUALLY SPACED UNLESS OTHERWISE SPECIFIED.
- MAINTAIN COMPONENTS IN "AS RECEIVED" SERIALIZED SETS.
- CONFIGURATION IS FOR GREASE LUBRICATION ONLY.
- THE CUSTOMER MATING PARTS MUST COMPENSATE FOR THE REDUCED RADIAL STIFFNESS OF THE WEIGHT REDUCED CIRCULAR SPLINE. IT IS RECOMMENDED TO PILOT THESE ITEMS ON THE  $\phi 54$  h6 REGISTER DIAMETERS.
- MINIMUM OF 16 SCREWS ARE REQUIRED TO MEET MAX MOMENTARY PEAK TORQUE.
- APPROXIMATE MASS FROM MODEL 146 g.

PROPRIETARY AND CONFIDENTIAL  
THIS DRAWING CONTAINS VALUABLE CONFIDENTIAL AND PROPRIETARY TRADE SECRET INFORMATION OF HARMONIC DRIVE LLC. COPYING, DISCLOSING, OR USING THIS INFORMATION WITHOUT THE EXPRESS WRITTEN AUTHORIZATION OF HARMONIC DRIVE LLC IS PROHIBITED.

THIS DOCUMENT WAS CREATED IN ACCORDANCE WITH ASME Y14.5-2018.

DIMENSIONS ARE IN MM UNLESS OTHERWISE SPECIFIED.

DRAFTER RWC 02/27/2018	CHECKER WTH 05/16/2018
MAT'L ENG. TW 05/16/2018	DESIGN ENG. RWC 05/16/2018
MFG. ENG. CDM 05/16/2018	QUALITY
SIMILAR TO	



**Harmonic Drive**  
42 DUNHAM RIDGE  
BEVERLY MA 01915-1844  
[www.harmonicdrive.net](http://www.harmonicdrive.net)

TITLE:  
**INSTALLATION DRAWING  
CSG-20-XXX-2A-GR-LW**

SIZE <b>C</b>	CAGE CODE <b>34519</b>	DWG. NO. <b>1010994</b>	REV <b>C</b>
SCALE: 3:2			SHEET 1 OF 1