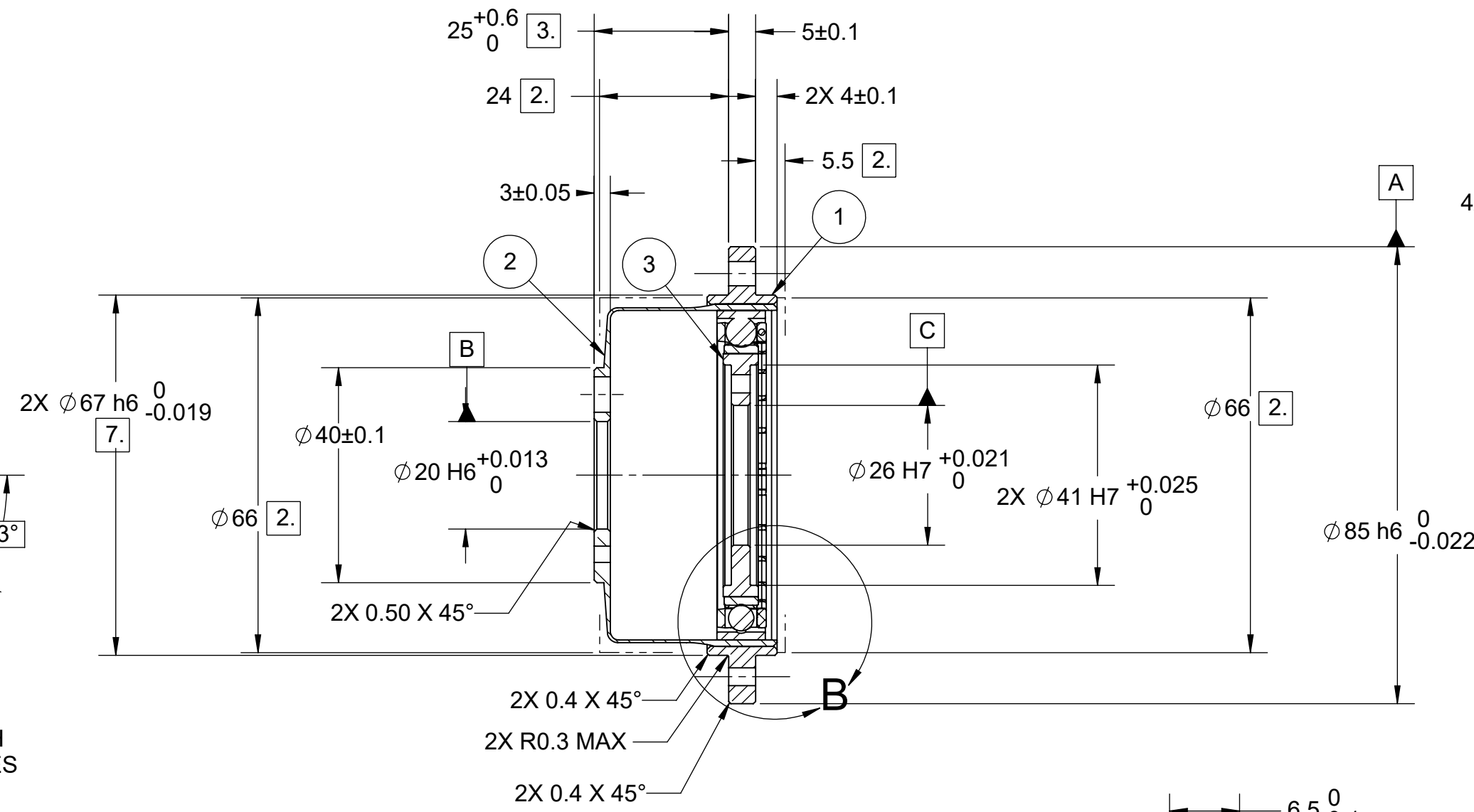
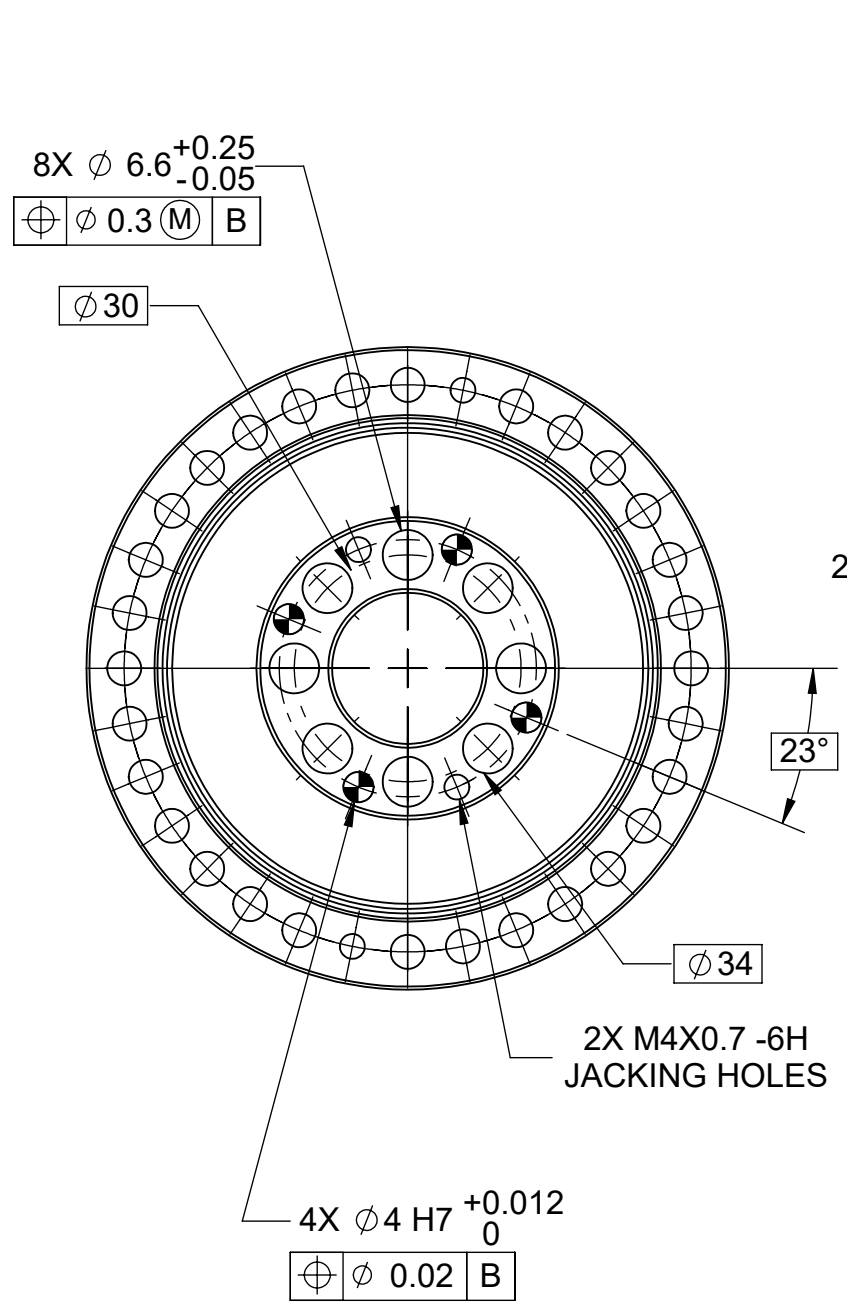
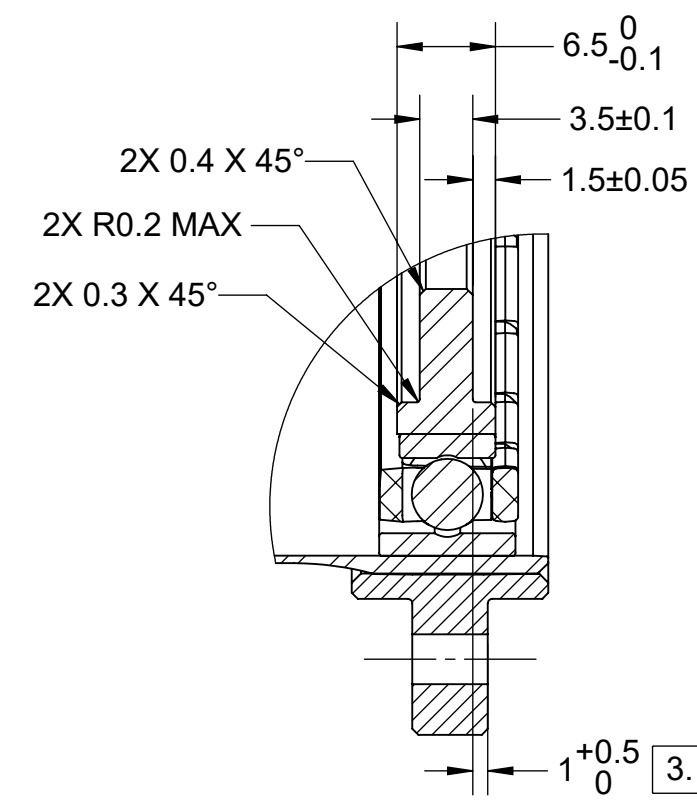


ITEM	QTY	PART
1	1	CIRCULAR SPLINE
2	1	FLEXSPLINE
3	1	WAVE GENERATOR ASSEMBLY

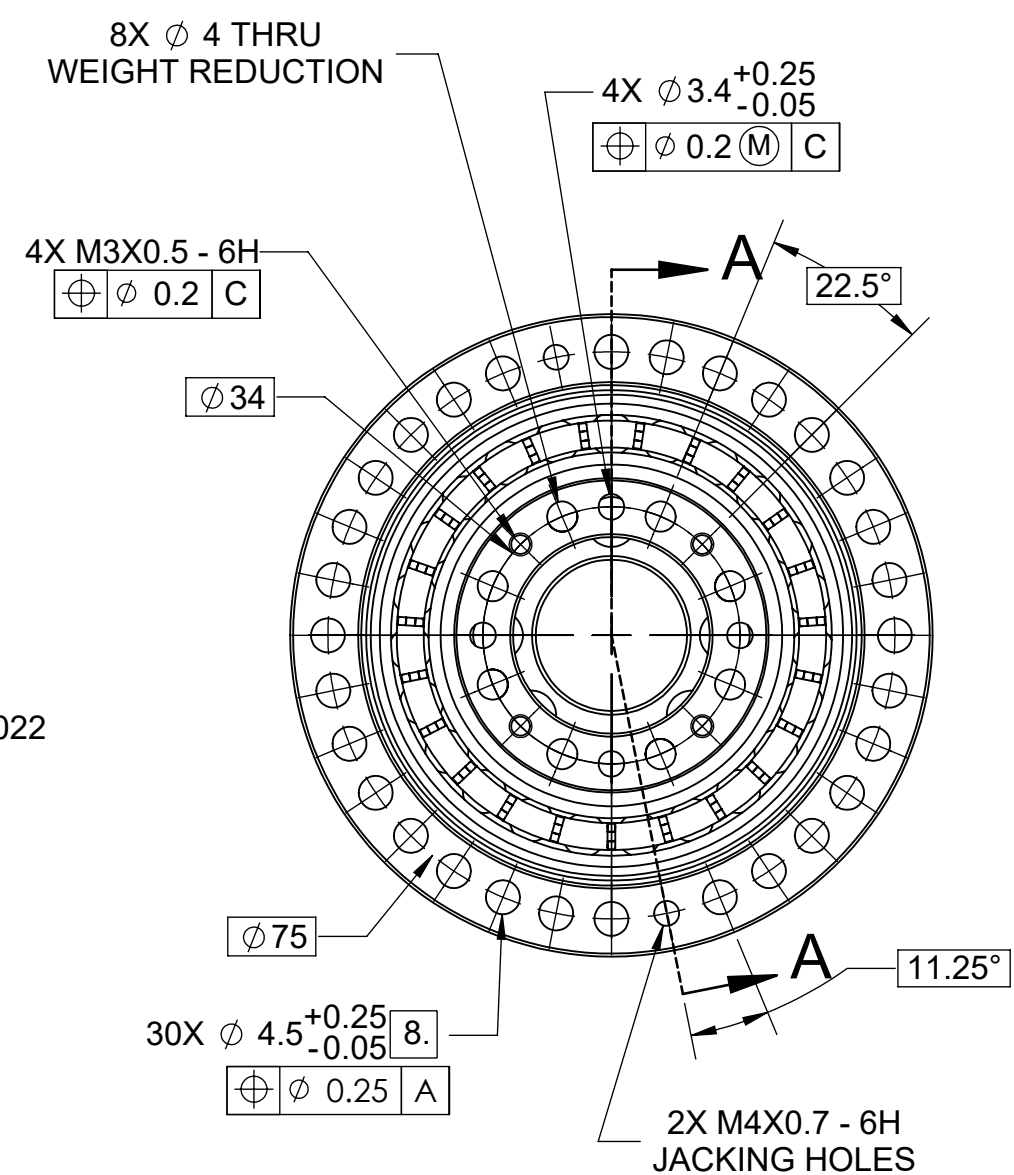
REVISIONS					
REV	DCF NO.	BY	CHKD	APPD	DATE
A	21-0261	KBouchard	RELEASED		3/1/2022



SECTION A-A



DETAIL B
SCALE 2 : 1



- NOTES:
- DESIGN AND/OR HANDLING OF HARMONIC DRIVE PRODUCTS MUST BE IN COMPLIANCE WITH TECHNICAL INFORMATION FOUND IN HARMONIC DRIVE CATALOGS AT: WWW.HARMONICDRIVE.NET/DOWNLOADS/CATALOGS
 - MINIMUM HOUSING CLEARANCE.
 - DIMENSIONS ESTABLISH INTERFACE AND INSTALLATION REQUIREMENTS. MAINTAIN AT ASSEMBLY AND UNDER ALL OPERATING LOAD CONDITIONS.
 - ALL CIRCULAR HOLE PATTERNS ARE EQUALLY SPACED UNLESS OTHERWISE SPECIFIED.
 - MAINTAIN COMPONENTS IN "AS RECEIVED" SERIALIZED SETS.
 - CONFIGURATION IS FOR GREASE LUBRICATION ONLY.
 - THE CUSTOMER MATING PARTS MUST COMPENSATE FOR THE REDUCED RADIAL STIFFNESS OF THE WEIGHT REDUCED CIRCULAR SPLINE. IT IS RECOMMENDED TO PILOT THESE ITEMS ON THE $\phi 67 \text{ h6}$ REGISTER DIAMETERS
 - MINIMUM OF 16 SCREWS ARE REQUIRED TO MEET MAX MOMENTARY PEAK TORQUE OF 408Nm.

PROPRIETARY AND CONFIDENTIAL
 THIS DRAWING CONTAINS VALUABLE CONFIDENTIAL AND PROPRIETARY TRADE SECRET INFORMATION OF HARMONIC DRIVE LLC. COPYING, DISCLOSING, OR USING THIS INFORMATION WITHOUT THE EXPRESS WRITTEN AUTHORIZATION OF HARMONIC DRIVE LLC IS PROHIBITED.

THIRD ANGLE

THIS DOCUMENT WAS CREATED IN ACCORDANCE WITH ASME Y14.5-2018.

DIMENSIONS ARE IN MM UNLESS OTHERWISE SPECIFIED.

DRAFTER KBouchard 04/06/2021	CHECKER NLeBerth 11/11/2021
MAT'L ENG. twalsh 11/11/2021	DESIGN ENG. KBouchard 11/11/2021
MFG. ENG. DRyll 11/11/2021	QUALITY amorlock 03/01/2022

SIMILAR TO
 1010905 / 1010989

Harmonic Drive®
 42 DUNHAM RIDGE
 BEVERLY MA 01915-1844
www.harmonicdrive.net

TITLE:
**INSTALLATION DRAWING
 CSG-25-XXX-2A-GR-LW**

SIZE C	CAGE CODE 34519	DWG. NO. 1010995	REV A
------------------	---------------------------	----------------------------	-----------------

SCALE: 1:1 SHEET 1 OF 1