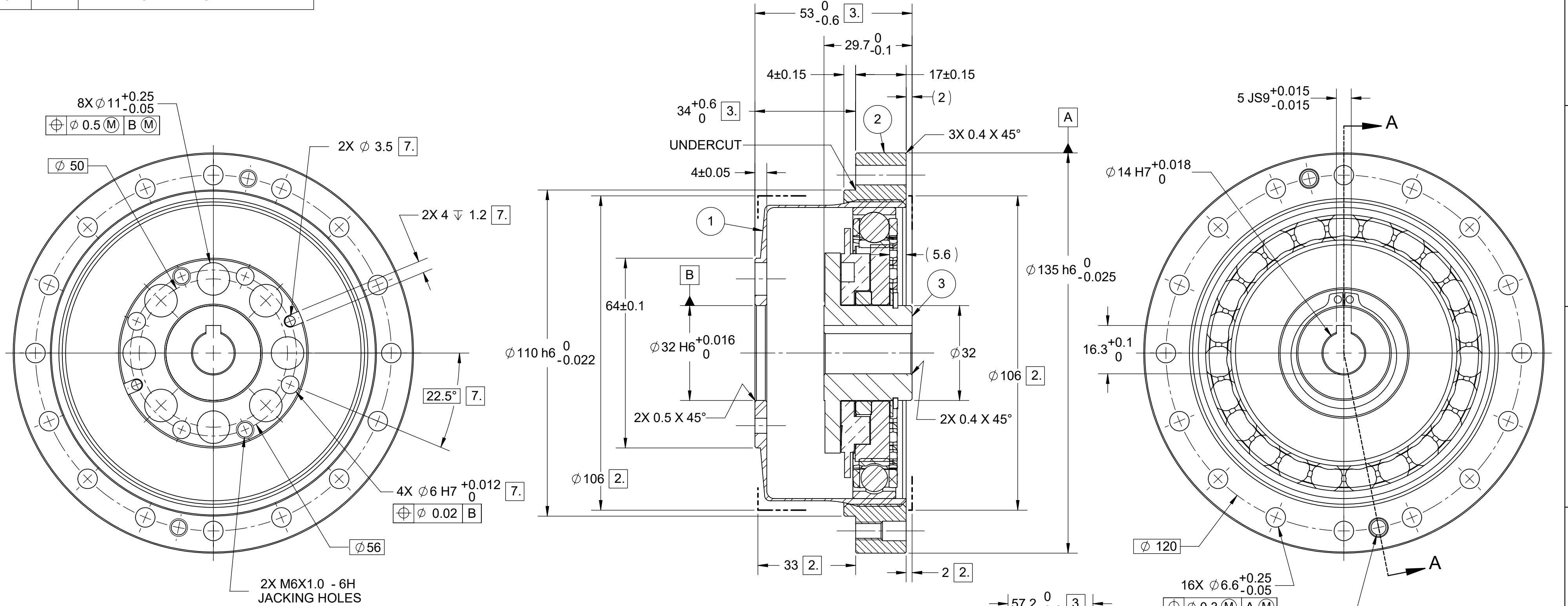


ITEM	QTY	PART
1	1	FLEXSPLINE
2	1	CIRCULAR SPLINE
3	1	WAVE GENERATOR ASSEMBLY

REVISIONS					
REV	DCF NO.	BY	CHKD	APPD	DATE
A	ER 12-103	WTH	RELEASED		5/01/2013
B	14-125	WTH	AAF		5/19/2014
C	20-0743	NAN	MAG	AMM	1/12/2021



- NOTES:
- DESIGN AND/OR HANDLING OF HARMONIC DRIVE PRODUCTS MUST BE IN COMPLIANCE WITH TECHNICAL INFORMATION FOUND IN HARMONIC DRIVE CATALOGS AT: [WWW.HARMONICDRIVE.NET/DOWNLOADS/CATALOGS](http://WWW.HARMONICDRIVE.NET/DOWNLOADS/CATALOGS)
  - MINIMUM HOUSING CLEARANCE.
  - DIMENSIONS ESTABLISH INTERFACE AND INSTALLATION REQUIREMENTS. MAINTAIN AT ASSEMBLY AND UNDER ALL OPERATING LOAD CONDITIONS.
  - ALL CIRCULAR HOLE PATTERNS ARE EQUALLY SPACED UNLESS OTHERWISE SPECIFIED.
  - MAINTAIN COMPONENTS IN "AS RECEIVED" SERIALIZED SETS.
  - CONFIGURATION IS FOR GREASE LUBRICATION ONLY. CONTACT HDLLC IF OIL LUBRICATION IS DESIRED.
  - CONFIGURATION OPTIONS PER TABLE. TO ORDER USE PART NUMBER AND DESCRIPTION FROM TABLE.

7. CONFIGURATION TABLE		
PART NUMBER	DESCRIPTION	FEATURE
34-040XXXUS	CSG-40-XXX-2A-GR	STANDARD
34-040XXXAUS	CSG-40-XXX-2A-GR-IV	OIL HOLES
34-040XXXBUS	CSG-40-XXX-2A-GR-B	DOWEL HOLES
34-040XXXCUS	CSG-40-XXX-2A-GR-C	OIL AND DOWEL HOLES

**PROPRIETARY AND CONFIDENTIAL**  
 THIS DRAWING CONTAINS VALUABLE CONFIDENTIAL AND PROPRIETARY TRADE SECRET INFORMATION OF HARMONIC DRIVE LLC. COPYING, DISCLOSING, OR USING THIS INFORMATION WITHOUT THE EXPRESS WRITTEN AUTHORIZATION OF HARMONIC DRIVE LLC IS PROHIBITED.

THIRD ANGLE

THIS DOCUMENT WAS CREATED IN ACCORDANCE WITH ASME Y14.5-2018.

DIMENSIONS ARE IN MILLIMETERS UNLESS OTHERWISE SPECIFIED.

DRAFTER WTH 8/22/2012	CHECKER RWC 8/24/2012
MAT'L ENG. THB 4/30/2013	DESIGN ENG.
MFG. ENG. CDM 4/30/2013	QUALITY
SIMILAR TO	

**Harmonic Drive**  
 42 DUNHAM RIDGE  
 BEVERLY MA 01915-1844  
[www.harmonicdrive.net](http://www.harmonicdrive.net)

**INSTALLATION DRAWING**  
**CSG-40-XXX-2A-GR**

SIZE <b>C</b>	CAGE CODE <b>34519</b>	DWG. NO. <b>1010907</b>	REV <b>C</b>
SCALE: 1:1			SHEET 1 OF 1