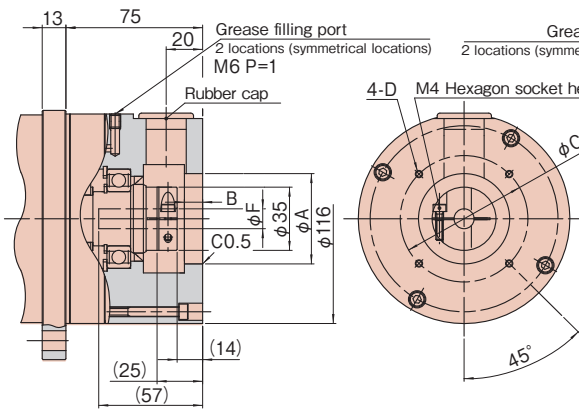


CSG-32-xx-GH

(Unit: mm)

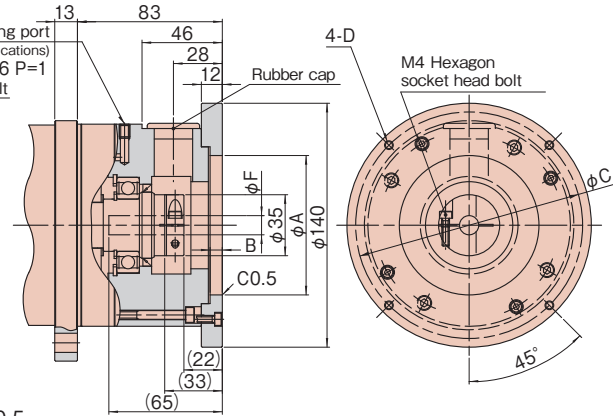
Flange Type I

* Output part dimension is the same as that of the flange type III.

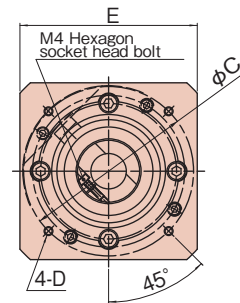
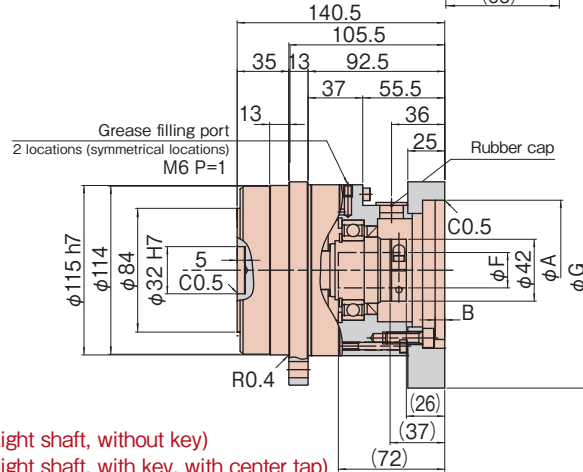
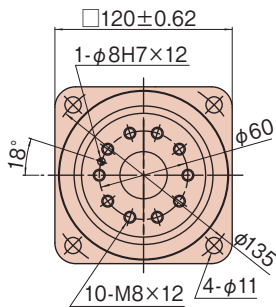


Flange Type II

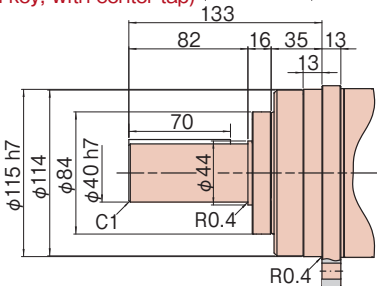
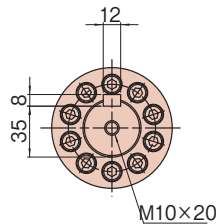
* Output part dimension is the same as that of the flange type III.



Flange Type III



Output shaft shape: J2 (Straight shaft, without key)
J6 (Straight shaft, with key, with center tap)



Measurement Table

(Unit: mm) Table 037-1

Shape ¹ symbol	A (H7)	B	C	D	E	F (H7)		G	Mass (kg) ²											
						Min	Max		Shaft output	Flange output										
Flange Type I	KA□	50	10	70	-	11	19	-	6.4	5										
	KB□										M4×10									
	KC□	60	7	99							M5×12									
	KD□										M6×14									
	KE□	70	100	M5×12																
	KF□			M6×14																
KG□	95	7	115	M6×12	-	11	19	-	6.6	5.2										
KH□											M8×12									
Flange Type III	95	6.5	115	M6×14							□120	16	24	160	6.9	5.5				
																	KP□	M6×14		
	KQ□	110	145	M8×25													□130	233	7.9	6.5
	KR□																			
KS□	130	165	M10×25	□180																

Dimensions of only typical products are shown. Please contact us for dimensions of products not listed above. Check details of the dimensions and shape with the delivered specifications. Contact us for information on special installation method.

*1: A symbol for input shaft coupling is supplied in "□" in shape symbols. See matching tables on pages 059 to 169.

*2: The mass varies slightly depending on the reduction ratio and on the inside diameter of input shaft coupling.

Notice:
All specifications and dimensions shown in the drawing are subject to change without notice. This drawing is the property of Harmonic Drive LLC. This data is believed to be accurate, however, Harmonic Drive LLC assumes no liability for any errors or omissions in the specifications, models or drawings.

Harmonic Drive LLC
Tel: 800-921-3332
www.harmonicdrive.net



Harmonic Drive LLC
Tel: 800-921-3332
www.harmonicdrive.net