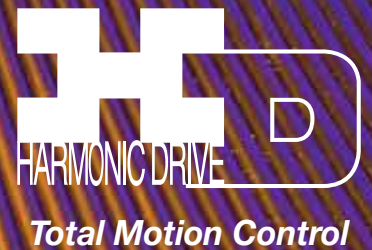


RSF Mini Series

RSF Brushless Servo Actuator



Harmonic Drive[®] actuator

P r e c i s i o n G e a r i n g & M o t i o n C o n t r o l

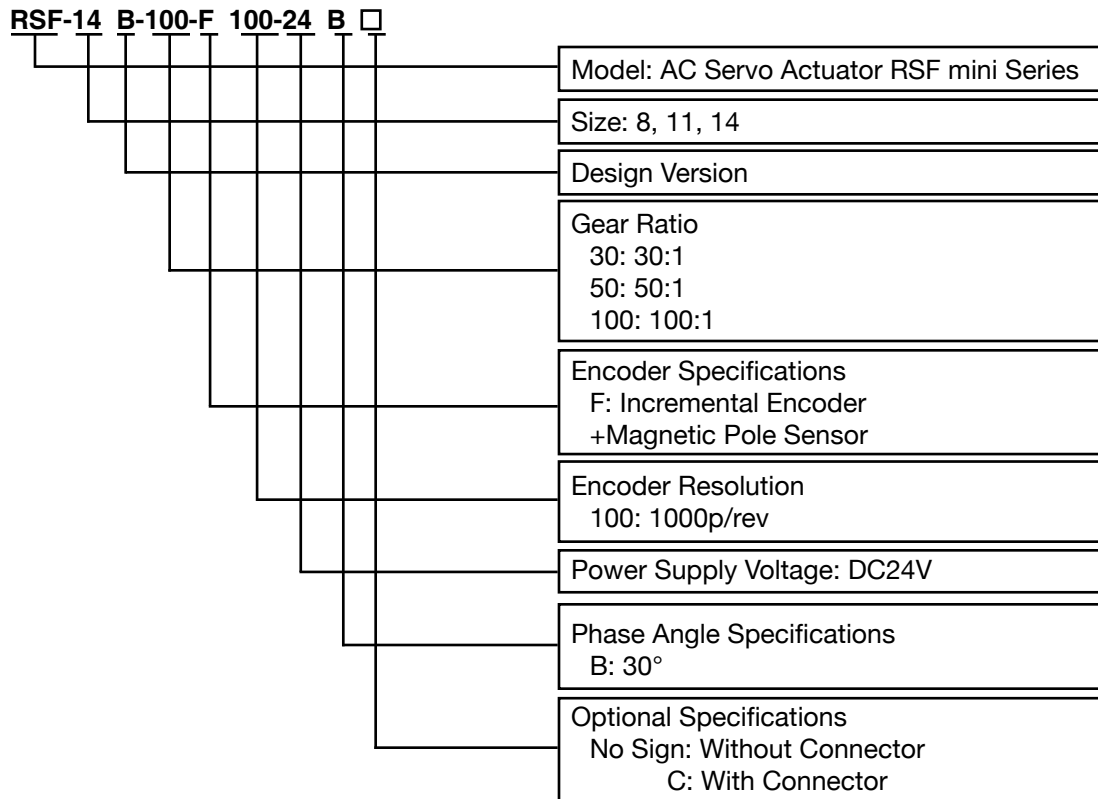
1. Applicable Models

This Specification applies to the RSF-B mini Series with parallel encoder and supply voltage DC 24V.

The sizes available are:

- 1) RSF-8B-XXX-F100-24B
- 2) RSF-11B-XXX-F100-24B
- 3) RSF-14B-XXX-F100-24B

2. Model Ordering Code



3. Specifications

3-1 Actuator

Table 1 General specifications of RSF-8B/11B/14B

Item	Environmental Conditions
Operate temperature	0~40 °C
Storage temperature	-20~60 °C
Operate / Storage humidity	20~80%RH (No condensation)
Vibration resistance	25 m/s ² (Frequency: 10~400 Hz)
Impact resistance	300 m/s ²

Table 2 Ability Specifications

Item		Model	RSF-8B			RSF-11B			RSF-14B		
			30	50	100	30	50	100	30	50	100
Power Supply Voltage	V	DC24									
Maximum Torque ※	Nm	1.8	3.3	4.8	4.5	8.3	11	9.0	18	28	
Maximum Speed ※	rpm	200	120	60	200	120	60	200	120	60	
Maximum Current ※	A	3.8	3.9	2.9	14.4	15.8	9.4	14.4	17.2	12.3	
Allowable Continuous Torque ※	Nm	0.78	1.4	2.0	1.1	2.0	4.0	1.7	3.0	6.0	
Allowable Continuous Current ※	A	2.0	2.0	1.5	5.0	4.9	4.9	4.9	4.7	4.7	
Allowable Continuous Speed ※	rpm	100	60	30	100	60	30	100	60	30	
Continuous torque at stall ※	Nm	0.95	1.7	3.5	1.7	3.0	5.7	2.5	4.5	9.0	
	Kgfc/m	9.2	16	36	17	31	58	26	46	92	
Torque Constant	Nm/A	0.62	1.1	2.1	0.40	0.66	1.5	0.76	1.3	2.6	
	Kgfc/m/A	6.3	11	21	4.1	6.7	15	7.8	13	27	
EMF Constant	V(rpm)	0.07	0.11	0.22	0.04	0.07	0.15	0.08	0.13	0.28	
Phase Resistance	Ω (25°C)	0.93			0.19			0.26			
Phase Inductance	mH	0.45			0.10			0.19			
Moment of Inertia ⁴⁾	GD ² /4 $\times 10^{-2}$ k·gm ²	0.06	0.16	0.65	0.18	0.49	2.0	0.41	1.1	4.5	
	J $\times 10^{-2}$ kgf·cm·s ²	0.60	1.7	6.6	1.8	5.0	20	4.1	11	46	
Allowable Radial Load	N	196			245			392			
	kgf	20			25			40			
Allowable Thrust Load	N	98			196			392			
	kgf	10			20			40			
One-Way Positioning Accuracy	arc/sec	180	150	150	150	120	120	150	120	120	
Quad Encoder Resolution ⁵⁾	p/rev	120000	200000	400000	120000	200000	400000	120000	200000	400000	
Mass	kg	0.3			0.5			0.8			
Servo Drive Combinations	DC24V	DCJ-055-09, DDP-090-09, DEP-090-09			DDP-090-36, DEP-090-36						
		HA-680-4B-24			HA-680-6B-24						

- 1) The table shows output values of the actuator.
- 2) All specifications are applicable for actuators mounted on an aluminum heat sink of size: 150 x 150 x 6(mm)
- 3) Values for saturated actuator temperature. Other values are for actuator temperature of 20°C.
- 4) The moment of inertia is the total value of the motor shaft and gear moment of inertia values converted to the output side.
- 5) Quad encoder resolution is (motor shaft encoder resolution) x 4 x (gear ratio)

3-2 Encoder Specifications

Table 3 Magnetic pole sensor (built in the motor)

Item	Unit	Specification
Signal		U, \bar{U} , V, \bar{V} , W, \bar{W}
Power supply voltage	V	DC +5 ±5%
Current consumption	mA	250 max
Output circuit form		Line driver

Table 4 Encoder

Item	Unit	Specification
Type		Incremental, rectangular wave, 8-wires
Signal		A, \bar{A} , B, \bar{B} , Z, \bar{Z}
Resolution	p/rev	1000
Power supply voltage	V	DC +5 ±5%
Current consumption	mA	170 max
Output circuit form		Line driver

• Signal waveform

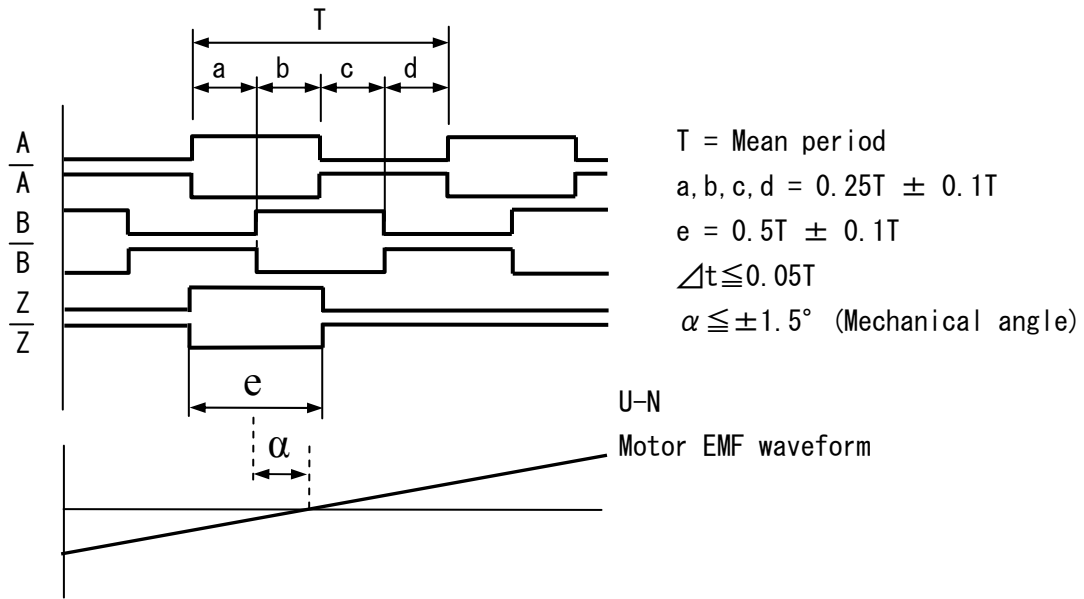


Fig.1 A, B and Z signal and relationship with U-N motor EMF waveform with CW rotation facing the output shaft end

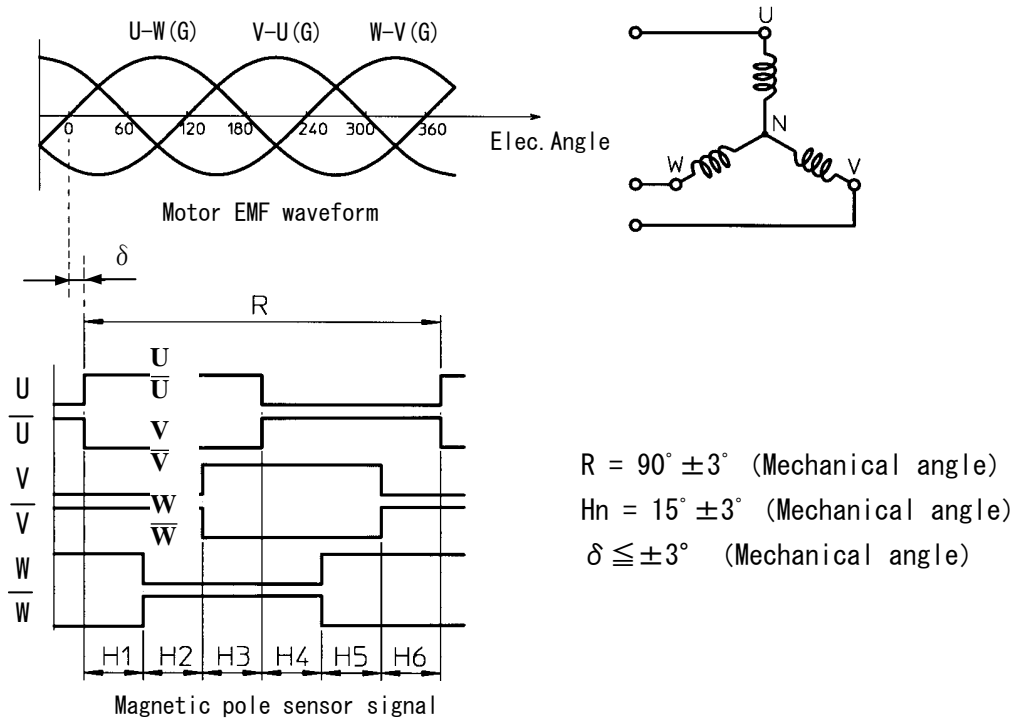


Fig.2 U, V and W signal and relationship with Motor's EMF with CW rotation facing the output shaft end

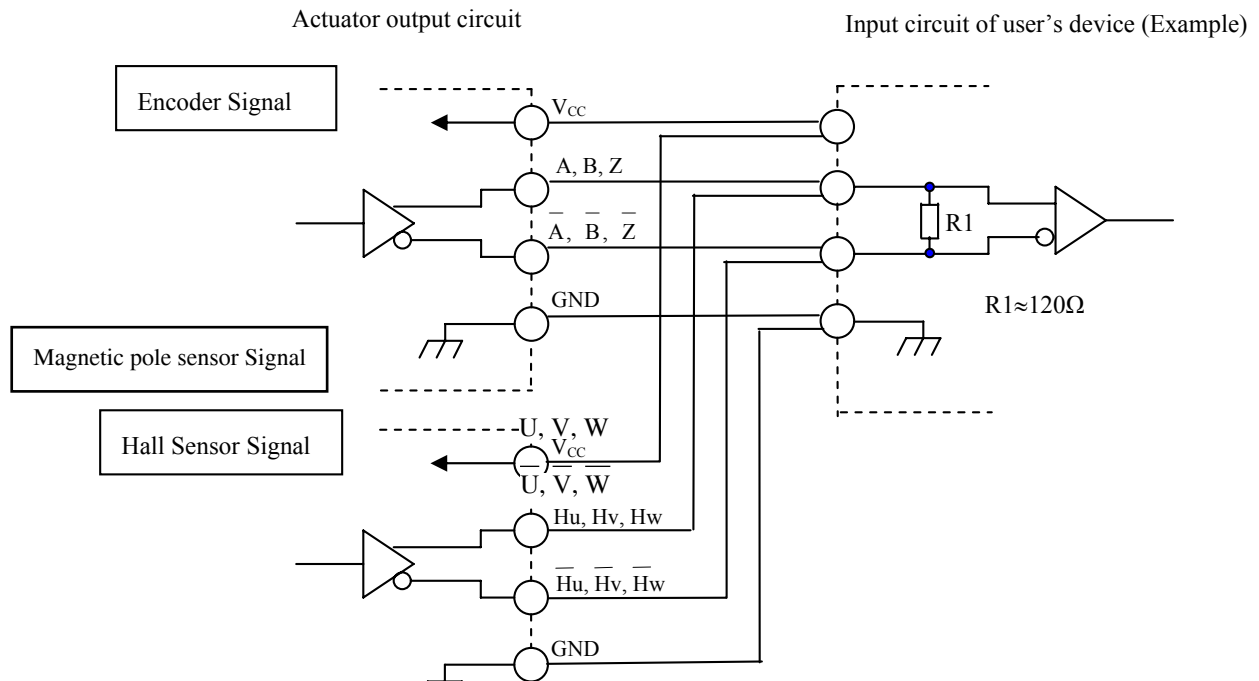
• **Color code for leads**

Color code for motor, encoder and magnetic pole sensor leads shown in Table 5

Table 5 Color code

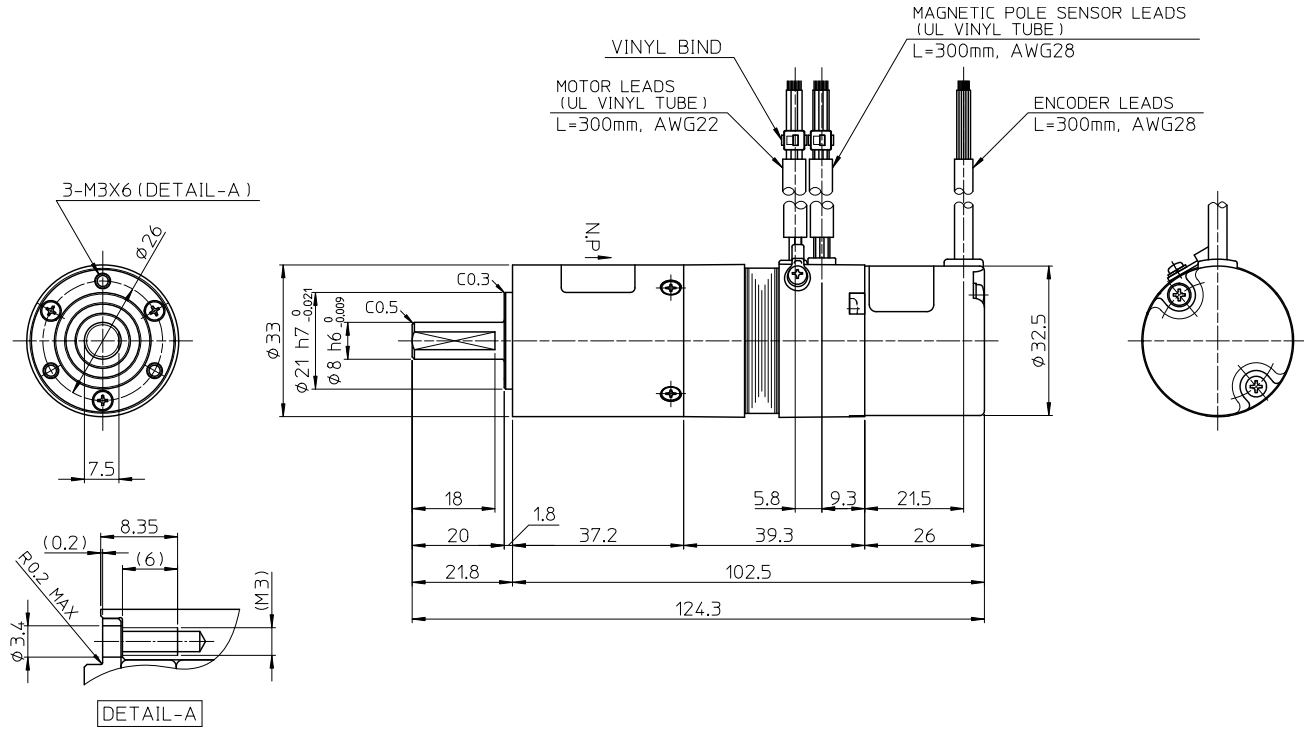
Motor leads		Hall sensor leads		Encoder leads	
Color	Signal	Color	Signal	Color	Signal
Red	U	Brown	U	Brown	A
White	V	Blue	\bar{U}	Blue	\bar{A}
Black	W	Red	V	Red	B
Green	PE	Green	\bar{V}	Green	\bar{B}
		Yellow	W	Yellow	Z
		Orange	\bar{W}	Orange	\bar{Z}
		White	+5V (Vcc)	White	+5V (Vcc)
		Black	0V (GND)	Black	0V (GND)
				Shield	Floating

• **Output circuit and example for receiving signal**

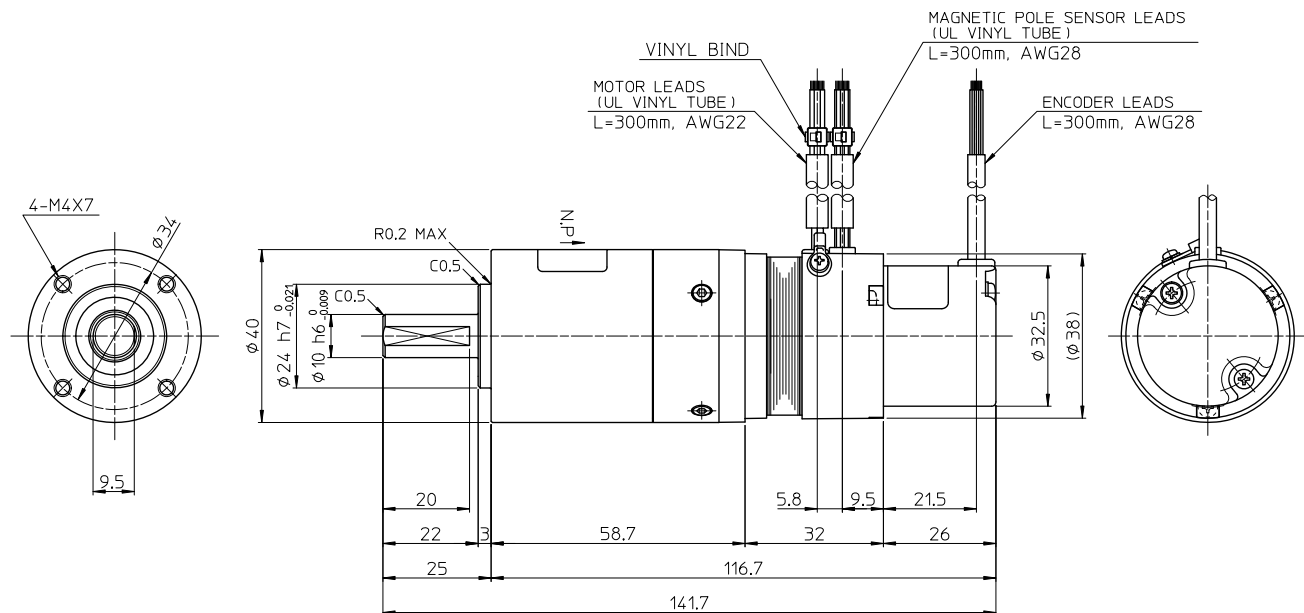


4. External Dimensions

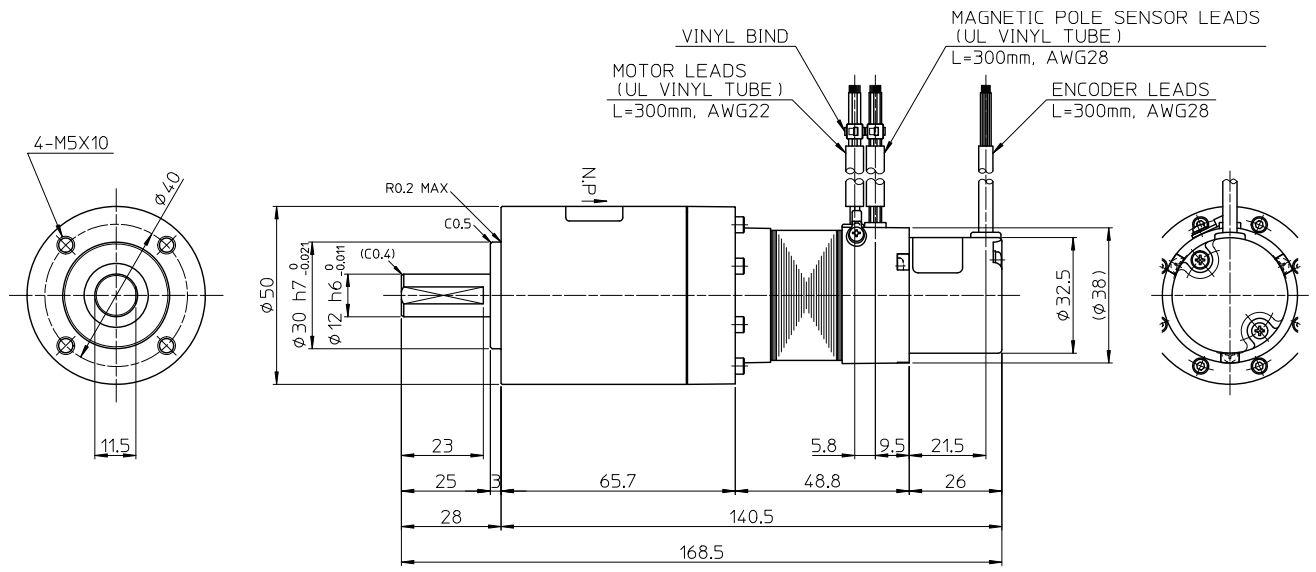
RSF-8B-XXX-F100-24B

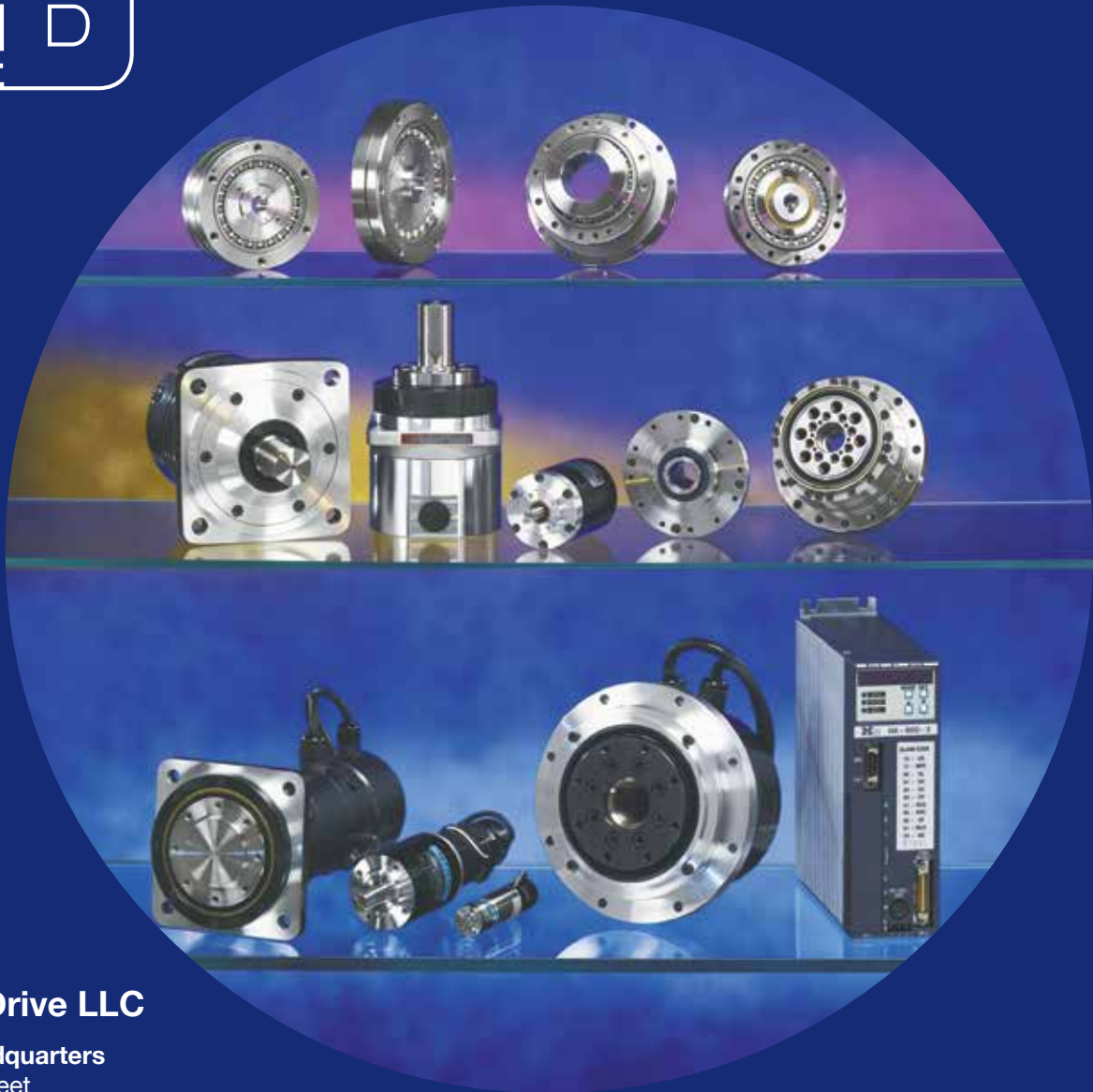


RSF-11B-XXX-F100-24B



RSF-14B-XXX-F100-24B





Harmonic Drive LLC

Boston US Headquarters
247 Lynnfield Street
Peabody, MA 01960

New York Sales Office
100 Motor Parkway
Suite 116
Hauppauge, NY 11788

California Sales Office
333 W. San Carlos Street
Suite 1070
San Jose, CA 95110

Chicago Sales Office
137 N. Oak Park Ave., Suite 410
Oak Park, IL 60301

T: 800.921.3332
T: 978.532.1800
F: 978.532.9406

www.HarmonicDrive.net

Group Companies
Harmonic Drive Systems, Inc.
6-25-3 Minami-Ohi, Shinagawa-ku
Tokyo 141-0013, Japan

Harmonic Drive AG
Hoenbergstrasse, 14, D-6555
Limburg/Lahn Germany

