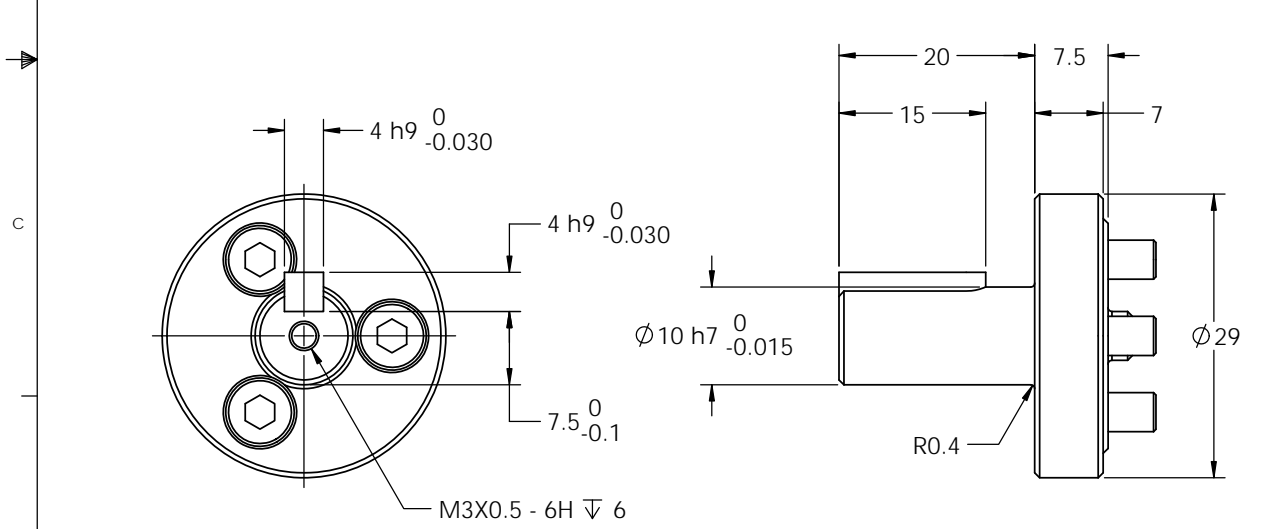
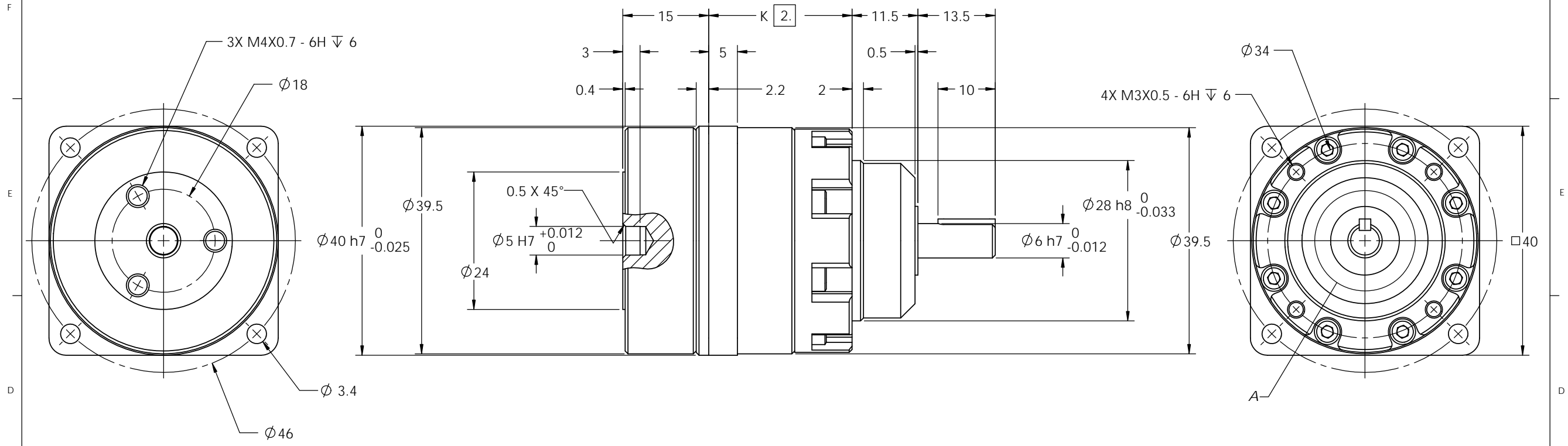
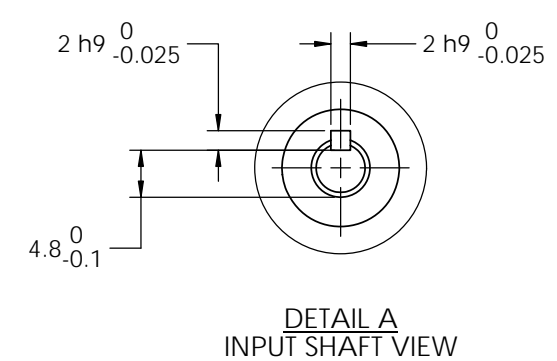


REVISIONS					
REV	ECA NO.	BY	CHKD	APPD	DATE
1	---				



RATIO	K
05, 09	16
21, 37, 45	25

-AA	DESCRIPTION
-F0	FLANGE ONLY
-J2	Ø10mm PLAIN SHAFT
-J6	Ø10mm SHAFT w/ KEY AND TAPPED HOLE



OUTPUT SHAFT VIEW  
-J6 CONFIGURATION SHOWN

- NOTES:
- DESIGN AND/OR HANDLING MUST BE IN COMPLIANCE WITH TECHNICAL INFORMATION FOUND IN HD CATALOG.
  - OVERALL LENGTH OF GEARHEAD VARIES WITH RATIO; SEE TABLE 1.

<b>PROPRIETARY AND CONFIDENTIAL</b> THIS DRAWING CONTAINS VALUABLE CONFIDENTIAL AND PROPRIETARY TRADE SECRET INFORMATION OF HARMONIC DRIVE LLC. COPYING, DISCLOSING, OR USING THIS INFORMATION WITHOUT THE EXPRESS WRITTEN AUTHORIZATION OF HARMONIC DRIVE LLC IS PROHIBITED.	ISSUE DATE			<b>HARMONIC DRIVE LLC</b> 247 LYNNFIELD STREET PEABODY MASS 01960-4905 www.harmonicdrive.net		
	CONTRACT NO.					
	DRAFTSMAN WTH	CHECKER	TITLE:		<b>INSTALLATION DRAWING</b> <b>HPG-11A-XX-AAU1</b>	
	MAT'L ENG	DESIGN ENG HDSI	SIZE		FSCM <b>34519</b> DWG. NO. <b>HPG-11A-U1</b> REV <b>1</b>	
MFG. ENG.	QUALITY	SCALE: 2:1		WEIGHT:		
MATERIAL:		SUBMITTED		SHEET 1 OF 1		
SIMILAR TO						